

- Blocker Plates
- Blocker Plate Packers
- Interlockers
- Wrap Around Plates
- Acrylic Packing Plates
- Extended Strikers
- Specialty Strikers
- Mortice Lock to Entrance Set
- Dress Plates
- Concealed Fix Dress Plates
- Filler Plates
- Escutcheons & Elec. Strike
- Mounting Blocks
- Mortice Lock Face Plates
- Roller Door Dress Plates
- Lever Handle Mounting Plates
- Lock Boxes
- Pull Plates
- Padlock Collars & Lanyards
- Door Guards
- Miscellaneous Products
- Borg 2000 & 5000 Adapter
- Quantum 8000 Dress Plates

BDS

SECURITY PRODUCTS

Catalogue 2020

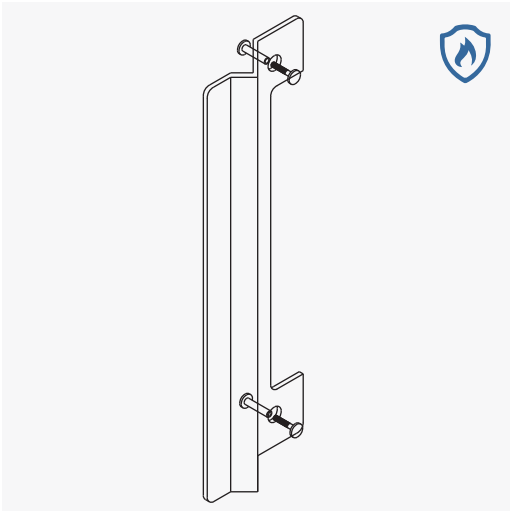


INDEX

Blocker Plates	1
Blocker Plate Packers	5
Interlockers	6
Wrap Around Plates	7
Acrylic Packing Plates	10
Extended Strikers	13
Specialty Strikers	14
Mortice Lock to Entrance Set	15
Dress Plates	16
Concealed Fix Dress Plates	18
Filler Plates	19
Escutcheons & Electric Strike	20
Mounting Blocks	
Mortice Lock Face Plates	21
Roller Door Dress Plates	22
Lever Handle Mounting Plates	22
Lock Boxes	23
Pull Plates	26
Padlock Collars & Lanyards	27
Door Guards	28
Miscellaneous Products	29
Borg 2000 & 5000 Adapter Plates	31
Quantum 8000 Dress Plates	32

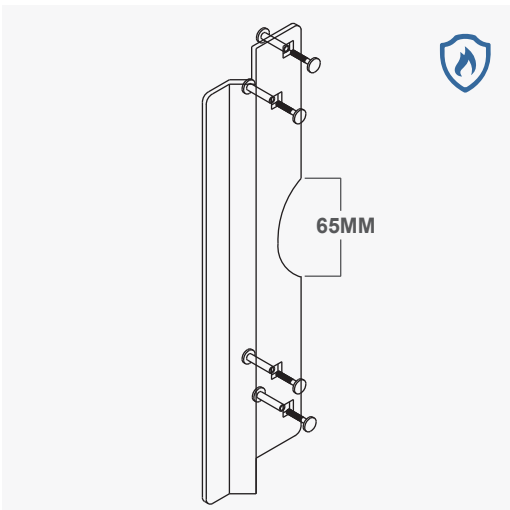
BLOCKER PLATES

FIRE RATED



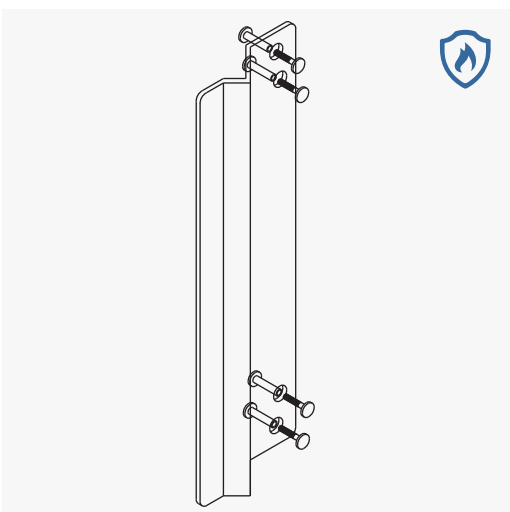
06001046 (MILD STEEL)
09351115 (STAINLESS STEEL)
 BLOCKER PLATE TO SUIT MORTICE LOCK

Part No.	Dimension	Material	Thickness
06001046	275mm x 80mm	Mild Steel	3mm
09351115	275mm x 80mm	Stainless Steel	3mm



09351116 (MILD STEEL)
06001048 (STAINLESS STEEL)
 BLOCKER PLATE TO SUIT ENTRANCE SET

Part No.	Dimension	Material	Thickness
09351116	275mm x 80mm	Mild Steel	2mm
06001048	275mm x 80mm	Stainless Steel	2mm



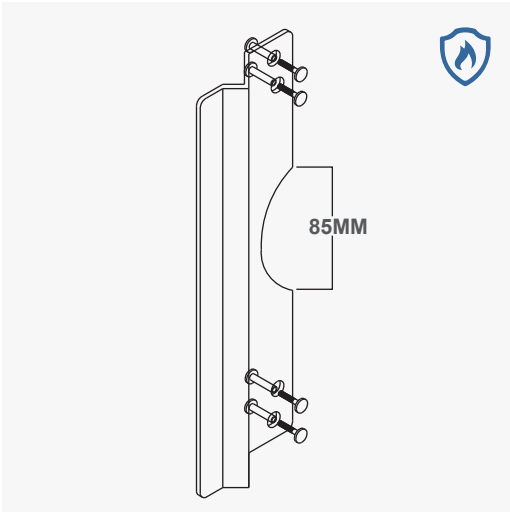
09351114 (MILD STEEL)
09351186 (STAINLESS STEEL)
 BLOCKER PLATE BLANK

Part No.	Dimension	Material	Thickness
09351114	275mm x 80mm	Mild Steel	2mm
09351186	275mm x 80mm	Stainless Steel	2mm

 Marked Parts are Fire Rated

BLOCKER PLATES

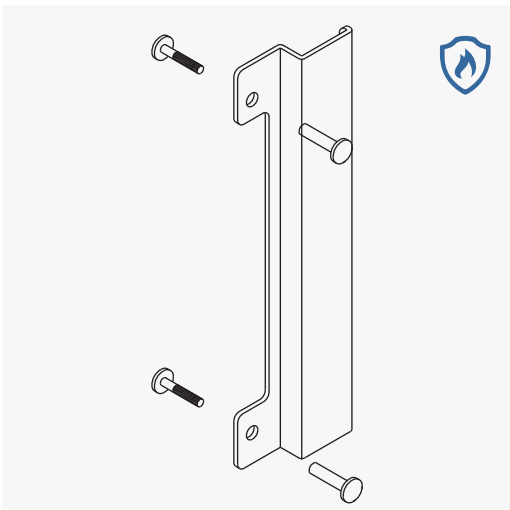
FIRE RATED



BP6860E7 (MILD STEEL)
BP7000E (STAINLESS STEEL)

BLOCKER PLATE TO SUIT EU / EV 8000 / 6000 ENTRANCE SET

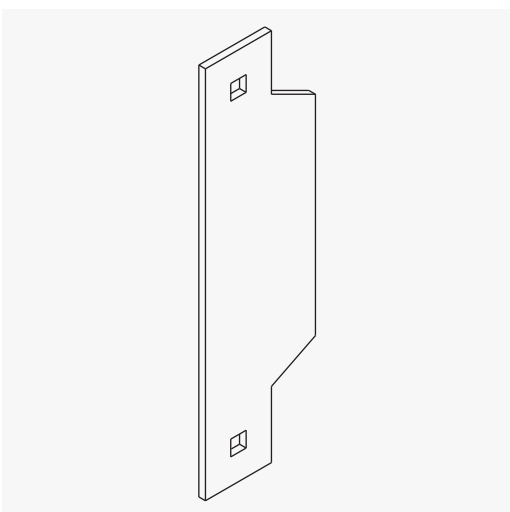
Part No.	Dimension	Material	Thickness
BP6860E7	275mm x 80mm	Mild Steel	2mm
BP7000E	275mm x 80mm	Stainless Steel	2mm



09351189 (MILD STEEL)
09351187 (STAINLESS STEEL)

BLOCKER PLATE TO SUIT ELECTRIC STRIKERS

Part No.	Dimension	Material	Thickness
09351189	275mm x 80mm	Mild Steel	3mm
09351187	275mm x 80mm	Stainless Steel	3mm



09351188

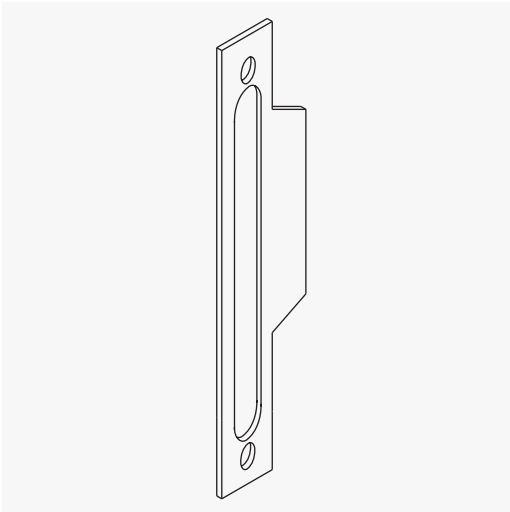
BLOCKER PLATE TO SUIT
 PADDE ES200 & ES2000

Part No.	Dimension	Material	Thickness
09351188	170mm x 50mm	Stainless Steel	2mm

Marked Parts are Fire Rated

BLOCKER PLATES

STAINLESS STEEL



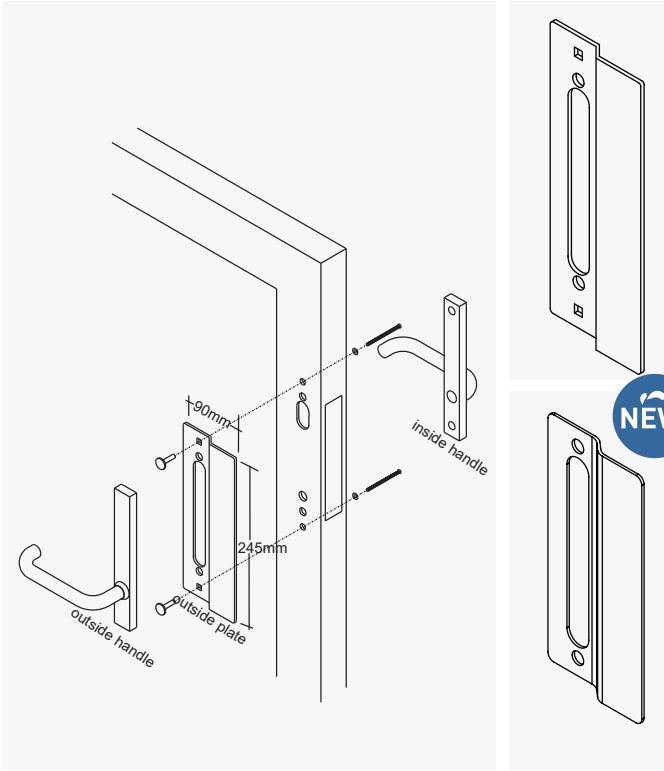
09351222

BLOCKER PLATE TO FIT UNDER LOCKWOOD 3582
FURNITURE TO SUIT PADDE ES200 & ES2000

Part No.	Dimension	Material	Thickness
09351222	275mm x 80mm	Stainless Steel	2mm

BLOCKER PLATES

STAINLESS STEEL



CL3580

TO SUIT ALUMINIUM DOORS

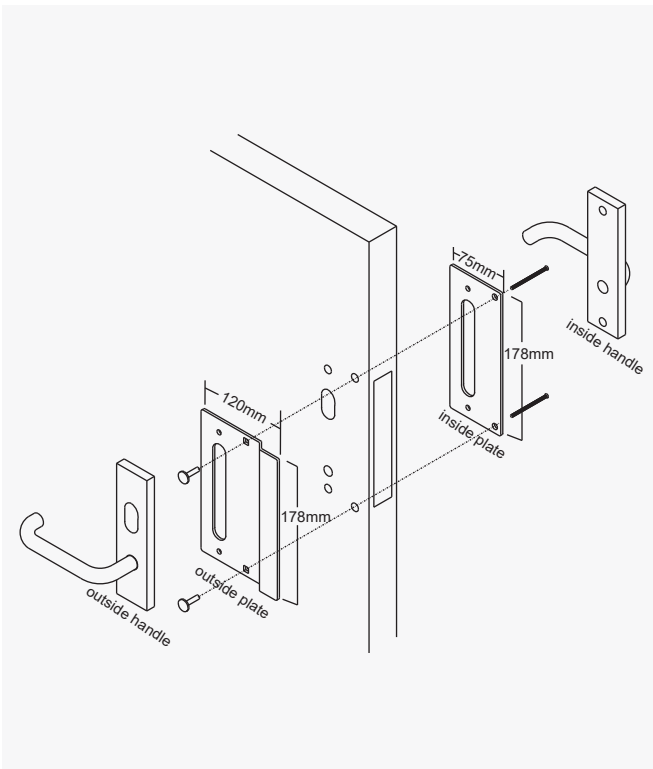
Part No.	Dimension	Material	Thickness
CL3580	245mm x 90mm	Stainless Steel	2mm



CL3580M

TO SUIT ALUMINIUM DOORS
(CL3580 W/O SQUARE HOLE)

Part No.	Dimension	Material	Thickness
CL3580M	186mm x 90mm	Stainless Steel	2mm



CL3570

TO SUIT TIMBER DOORS

Part No.	Dimension	Material	Thickness
CL3570	178mm x 120mm	Stainless Steel	2mm

BLOCKER PLATE PACKERS

NEW!

09351117



BPPE7000



09351113



09351110



09351117

TO SUIT ENTRANCE SET

BPPE7000

TO SUIT LEVER SET EU & EV SERIES

09351113

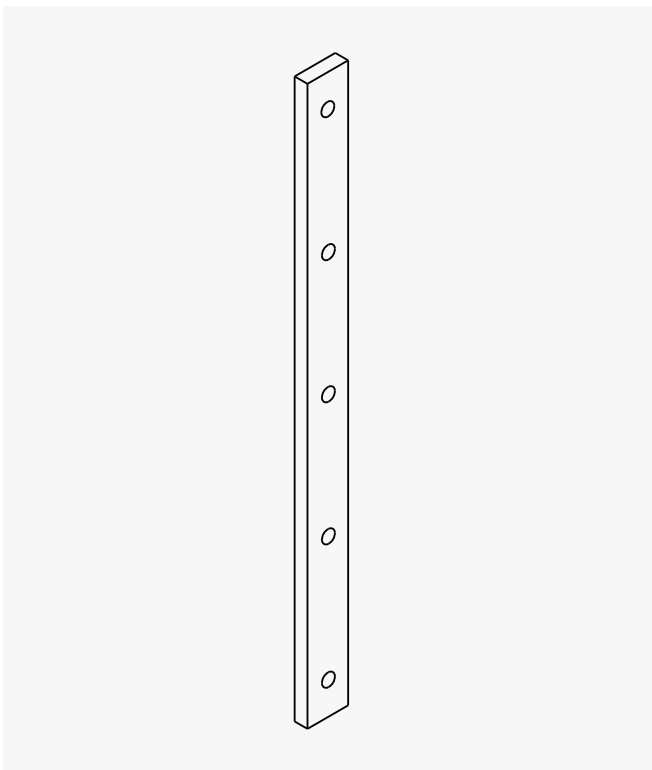
TO SUIT MORTICE LOCK

09351110

BLANK PLATE



Part No.	Dimension	Material	Thickness
09351117	275mm x 35mm	Mild Steel Zinc Plated	5mm
BPPE7000	275mm x 35mm	Mild Steel Zinc Plated	5mm
09351113	275mm x 35mm	Mild Steel Zinc Plated	5mm
09351110	275mm x 35mm	Mild Steel Zinc Plated	5mm



09351144

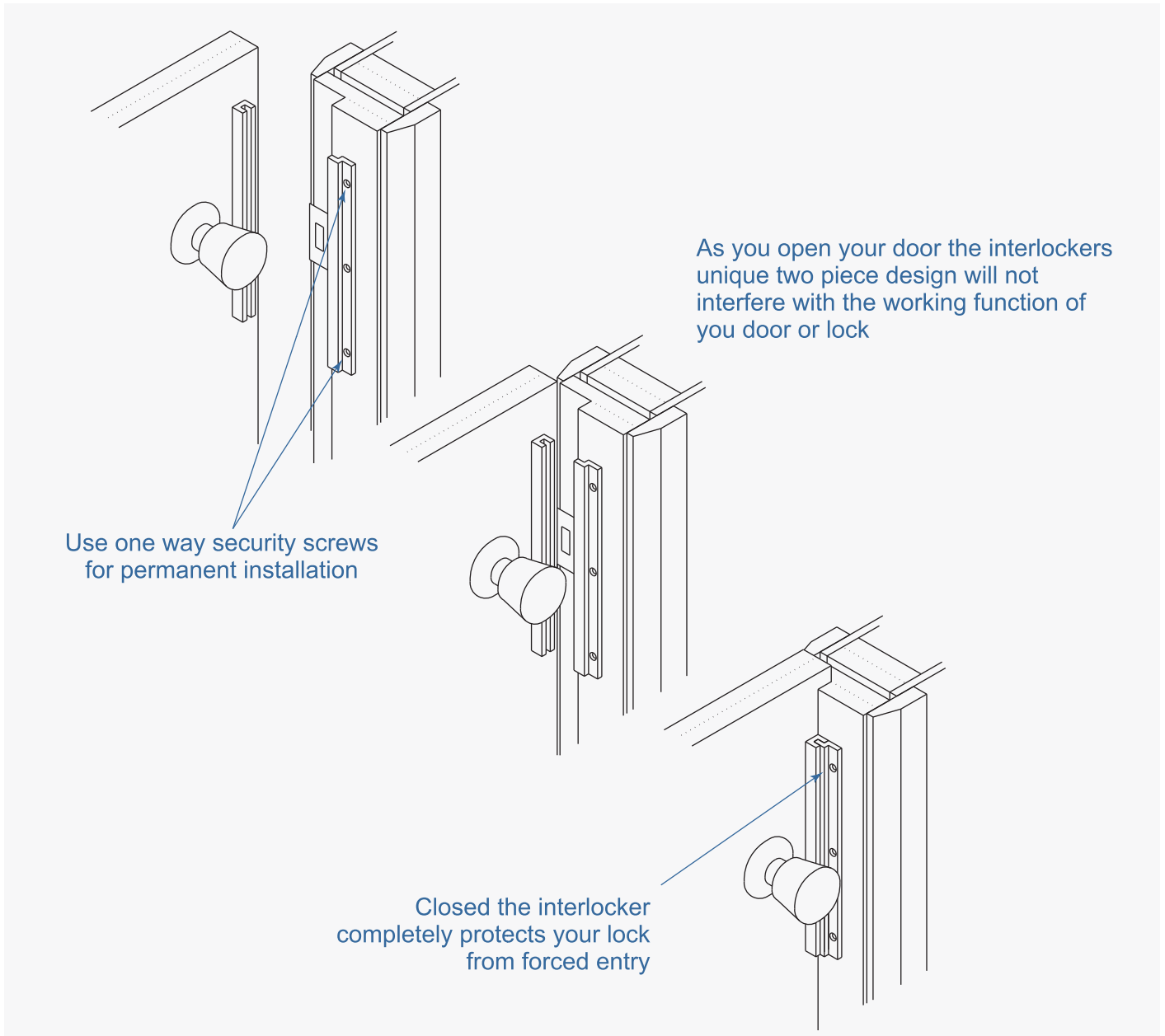
TO SUIT INTERLOCKER



Part No.	Dimension	Material	Thickness
09351144	260mm x 15mm	Stainless Steel	5mm

INTERLOCKER

BLOCKER PLATE FOR INWARD OPENING DOORS STAINLESS STEEL



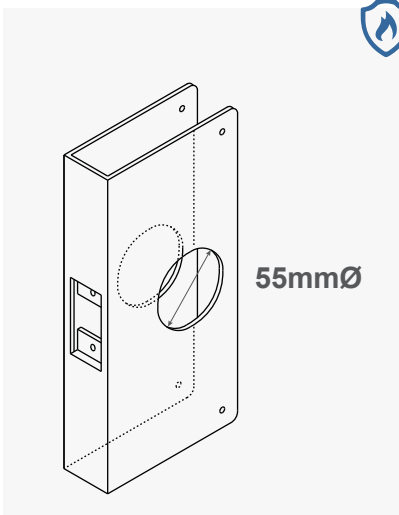
09351143

STAINLESS BLOCKER PLATE

Part No.	Dimension	Material	Thickness
09351143	260mm	Stainless Steel	2mm

WRAP AROUND PLATES

STAINLESS STEEL, FIRE RATED

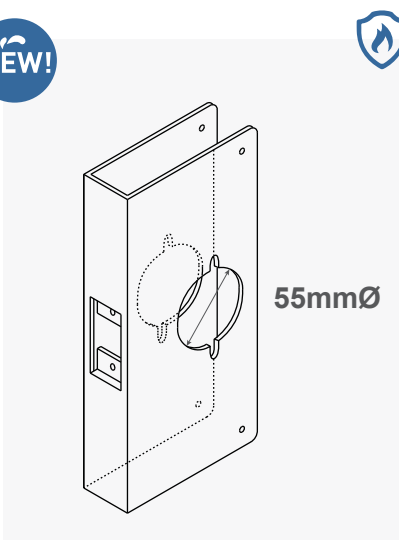


WRAP AROUND PLATE TO SUIT ENTRANCE SET

STAINLESS STEEL, SEE TABLE FOR DIMENSIONS

Part No.	Door	Backset	Dimension	Ø
09351119	35mm	60mm	230mm x 100mm	55mm
09351121	35mm	70mm	230mm x 110mm	55mm
11351150	35mm	127mm	230mm x 167mm	55mm
11351140	38mm	60mm	230mm x 100mm	55mm
11351142	38mm	70mm	230mm x 110mm	55mm
11351151	38mm	127mm	230mm x 167mm	55mm
09351120	40mm	60mm	230mm x 100mm	55mm
09351122	40mm	70mm	230mm x 110mm	55mm
11351152	40mm	127mm	230mm x 167mm	55mm
09351201	45mm	60mm	230mm x 100mm	55mm
11351149	45mm	70mm	230mm x 110mm	55mm
09351202	45mm	127mm	230mm x 167mm	55mm
11351141	48mm	60mm	230mm x 100mm	55mm
11351143	48mm	70mm	230mm x 110mm	55mm
11351153	48mm	127mm	230mm x 167mm	55mm

NEW!



WRAP AROUND PLATE TO SUIT 8000 SERIES

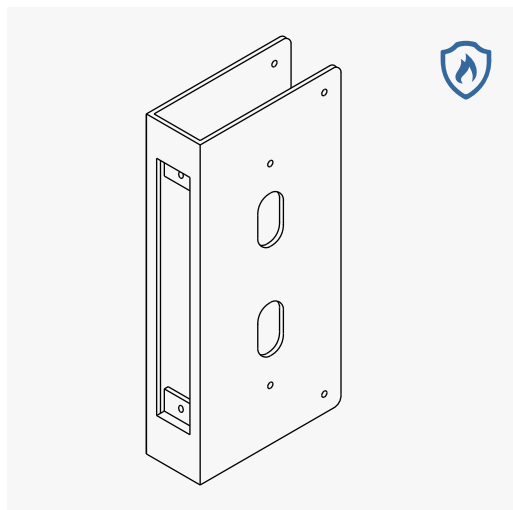
STAINLESS STEEL, SEE TABLE FOR DIMENSIONS

Part No.	Door	Backset	Dimension	Ø
11351135	35mm	70mm	230mm x 130mm	55mm
11351136	40mm	70mm	230mm x 130mm	55mm

Marked Parts are Fire Rated

WRAP AROUND PLATES

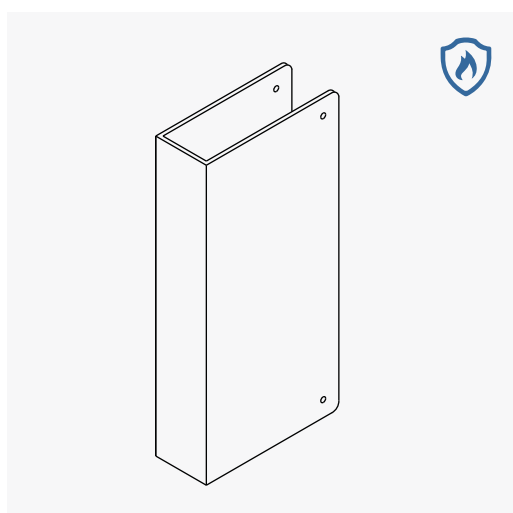
STAINLESS STEEL, FIRE RATED



WRAP AROUND PLATE TO SUIT MORTICE LOCK

STAINLESS STEEL, SEE TABLE FOR DIMENSIONS

Part No.	Door	Backset	Dimension
09351123	35mm	60mm	230mm x 110 mm
11351144	38mm	60mm	230mm x 110 mm
09351124	40mm	60mm	230mm x 110 mm
11351145	45mm	60mm	230mm x 110 mm
11351146	48mm	60mm	230mm x 110 mm



WRAP AROUND PLATE BLANK

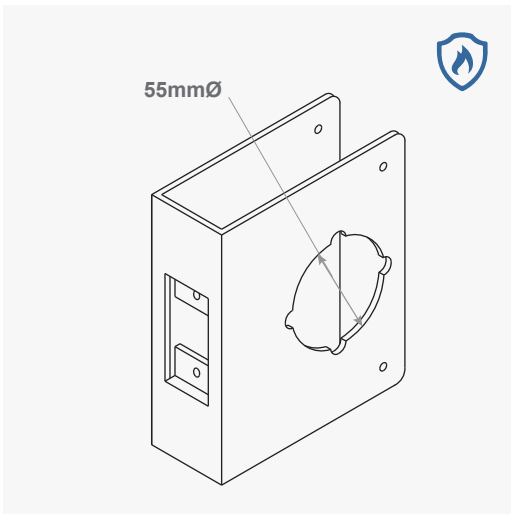
STAINLESS STEEL, SEE TABLE FOR DIMENSIONS

Part No.	Door	Backset	Dimension
09351167	35mm	N/A	230mm x 110 mm
11351137	38mm	N/A	230mm x 110 mm
09351168	40mm	N/A	230mm x 110 mm
11351138	45mm	N/A	230mm x 110 mm
11351139	48mm	N/A	230mm x 110 mm

 Marked Parts are Fire Rated

DEADBOLT & 201 WRAP AROUNDS

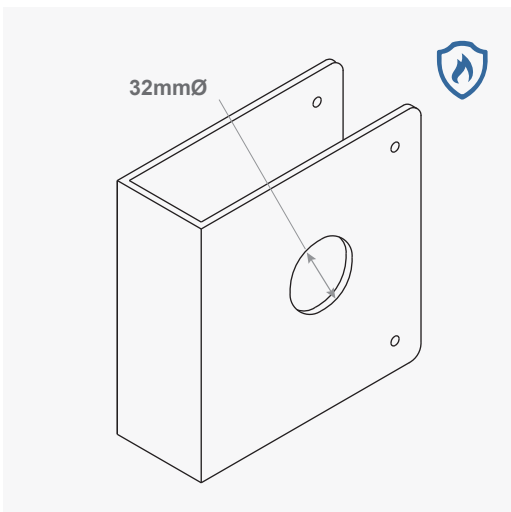
STAINLESS STEEL, FIRE RATED



WRAP AROUND PLATE TO SUIT DEADBOLT

SEE TABLE FOR PART NUMBER & SPECIFICATION

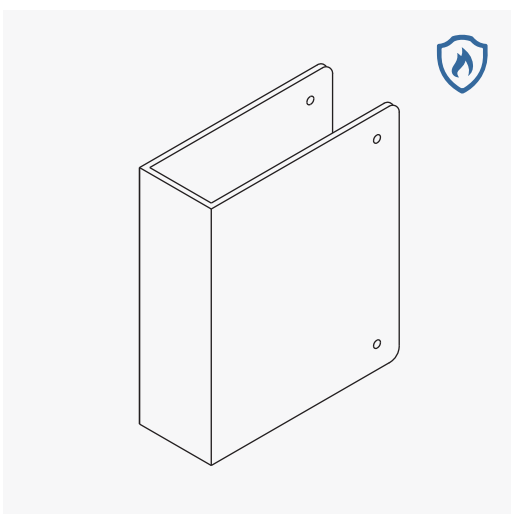
Part No.	Door	Backset	Dimension
09351127	35mm	60mm	130mm x 110 mm
09351129	35mm	70mm	130mm x 110 mm
09351128	40mm	60mm	130mm x 110 mm
09351130	40mm	70mm	130mm x 110 mm



WRAP AROUND PLATE TO SUIT 001 & 355 DEADLOCK

SEE TABLE FOR PART NUMBER & SPECIFICATION

Part No.	Door	Backset	Dimension
09351131	35mm	60mm	110mm x 110 mm
09351132	40mm	60mm	110mm x 110 mm



WRAP AROUND PLATE BLANK

SEE TABLE FOR PART NUMBER & SPECIFICATION

Part No.	Door	Backset	Dimension
09351125	35mm	N/A	100mm x 130mm
09351203	38mm	N/A	100mm x 130mm
09351126	40mm	N/A	110mm x 130mm
09351204	45mm	N/A	110mm x 130mm
09351205	48mm	N/A	110mm x 130mm

Marked Parts are Fire Rated

ACRYLIC PACKING PLATES

Acrylic Packers can be made on request to your specifications.



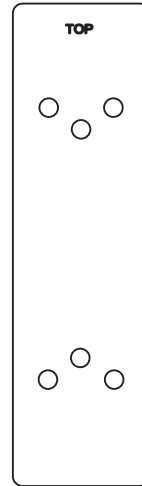
**ADI 444
BLOCK LOCK**

Part No.	Thickness
09351174	3mm
09351175	6mm
09351176	10mm



**ADI 444DD
DOUBLE BLOCK STRIKE**

Part No.	Thickness
09351347	3mm



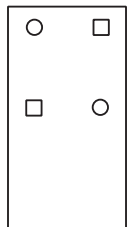
ADI BOLT 5004

Part No.	Thickness
09351177	3mm
09351178	6mm
09351179	10mm



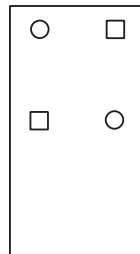
**ADI SL5
LOCK BOLT**

Part No.	Thickness
09351244	3mm
09351245	6mm
09351228	10mm



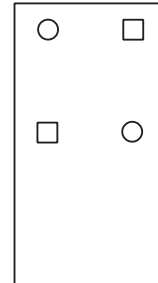
**BDS PADBOLT
(SMALL 100MM)**

Part No.	Thickness
09351312	3mm
09351313	6mm
09351314	10mm



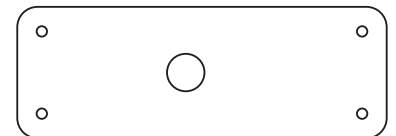
**BDS PADBOLT
(MEDIUM 150MM)**

Part No.	Thickness
09351315	3mm
09351316	6mm
09351317	10mm



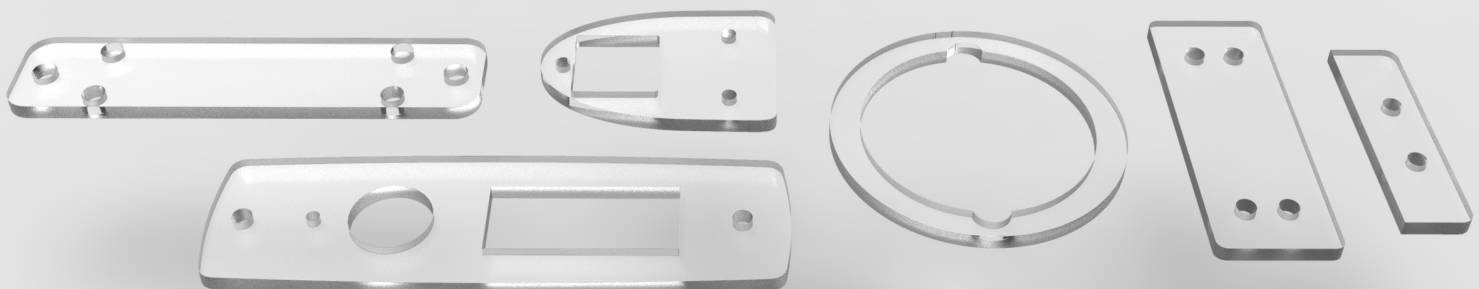
**BDS PADBOLT
(LARGE 200MM)**

Part No.	Thickness
09351318	3mm
09351319	6mm
09351320	10mm



**BRITON PANIC BAR
PADDLE**

Part No.	Thickness
09351321	3mm
09351322	6mm
09351323	10mm



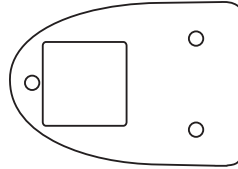
ACRYLIC PACKING PLATES

Acrylic Packers can be made on request to your specifications.



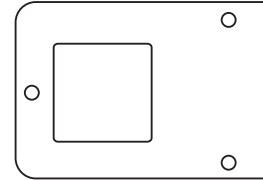
**LOCKWOOD 001
STRIKER**

Part No.	Thickness
09351229	1.5mm
09351230	2mm
09351231	3mm



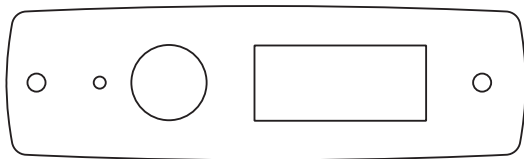
**LOCKWOOD 213
DEADBOLT**

Part No.	Thickness
09351171	3mm
09351172	6mm
09351173	10mm



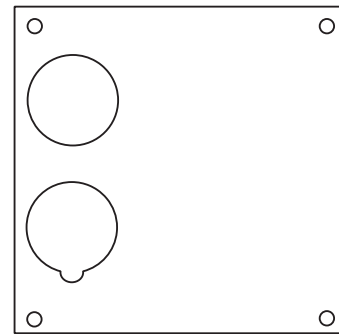
**LOCKWOOD 100
NIGHTLATCH**

Part No.	Thickness
09351164	3mm
09351165	6mm
09351166	10mm



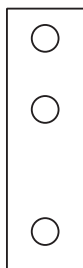
**LOCKWOOD 1800 SERIES
FURNITURE**

Part No.	Thickness
09351324	3mm
09351325	6mm
09351326	10mm



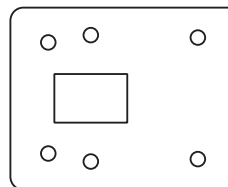
**LOCKWOOD 2000
SERIES FURNITURE**

Part No.	Thickness
09351232	3mm
09351233	6mm
09351246	10mm



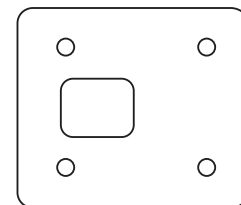
**LOCKWOOD 355
STRIKER**

Part No.	Thickness
09351217	1.5mm
09351218	3mm
09351219	6mm



**LOCKWOOD 001
DEADLATCH**

Part No.	Thickness
09351148	3mm
09351154	6mm
09351155	10mm



**LOCKWOOD 355
DEADLOCK**

Part No.	Thickness
09351159	3mm
09351160	6mm
09351161	10mm

ACRYLIC PACKING PLATES

Acrylic Packers can be made on request to your specifications.



**LOCKWOOD 680
PATIO BOLT**

Part No.	Thickness
09351156	3mm
09351157	6mm
09351158	10mm



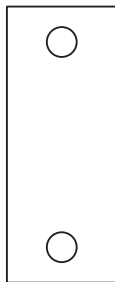
**WHITCO SASH LOCK
BODY**

Part No.	Thickness
09351223	3mm
09351224	6mm
09351225	10mm



**WHITCO SASH LOCK
STRIKER**

Part No.	Thickness
09351307	3mm
09351308	6mm
09351309	10mm



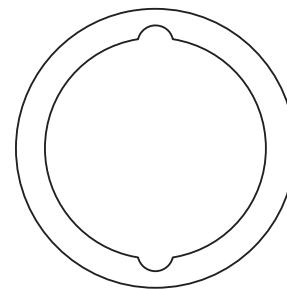
**WHITCO
PATIO BOLT (OLD)**

Part No.	Thickness
09351180	3mm
09351181	6mm
09351182	10mm



**WHITCO
PATIO BOLT (NEW)**

Part No.	Thickness
09351183	3mm
09351184	6mm
09351185	10mm

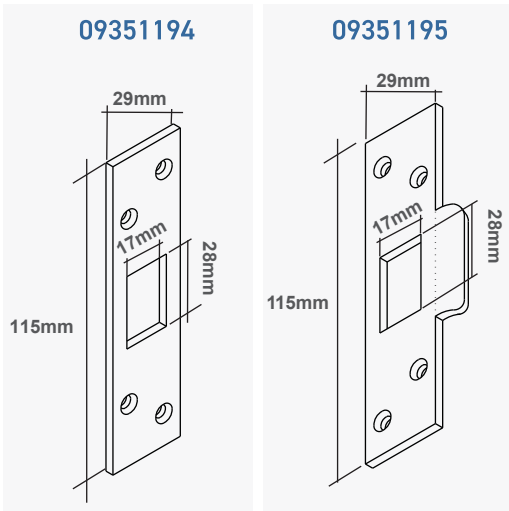


**3000 SERIES
ENTRANCE SET**

Part No.	Thickness
09351310	3mm
09351216	6mm
09351311	10mm

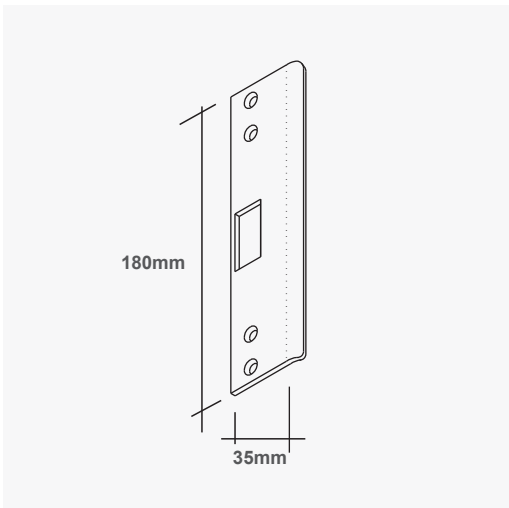
EXTENDED STRIKERS

STAINLESS STEEL



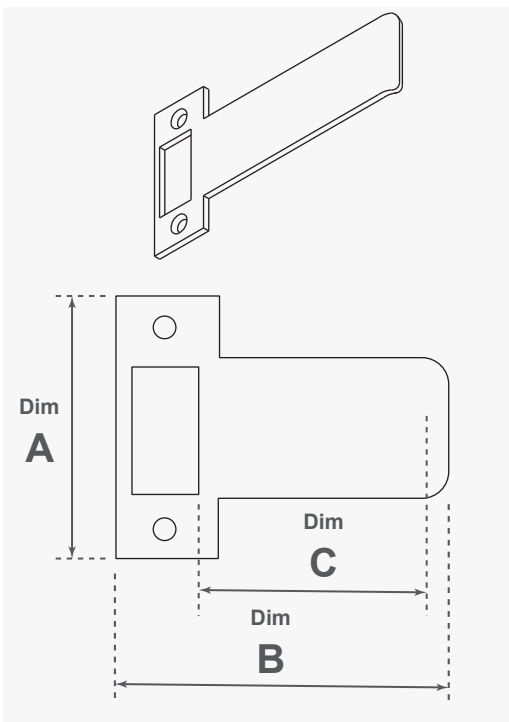
STAINLESS STEEL EXTENDED STRIKERS 1.2MM THICKNESS

Part No.	External Plate Size	Internal Hole Size	Material
09351194	115mm x 29mm	17mm x 28mm	Stainless Steel
09351195	115mm x 29mm	17mm x 28mm	Stainless Steel



EX STRIKERS 1.2MM THICKNESS

Part No.	Dimensions	Material
09351163	180mm x 35mm	Stainless Steel
09351162	180mm x 75mm	Stainless Steel
09351235	160mm x 75mm	Stainless Steel

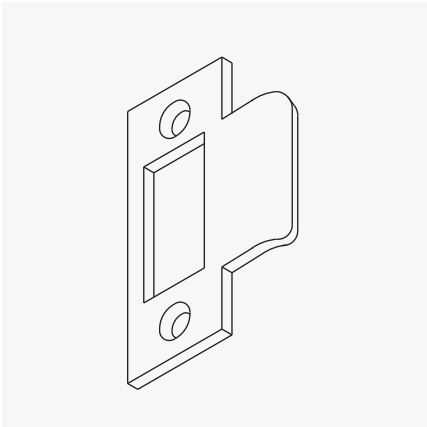


EXTENDED STRIKERS 1.2MM THICKNESS

Part No.	Dim. A & B	Material	Dim. C
09351236	70mm x 53mm	Stainless Steel	22mm
09351133	70mm x 60mm	Stainless Steel	30mm
09351134	70mm x 70mm	Stainless Steel	40mm
09351192	70mm x 80mm	Stainless Steel	50mm
09351193	70mm x 105mm	Stainless Steel	75mm
09351135	70mm x 130mm	Stainless Steel	100mm
0760291003	70mm x 155mm	Stainless Steel	125mm
09351247	70mm x 230mm	Stainless Steel	200mm

SPECIALTY STRIKERS

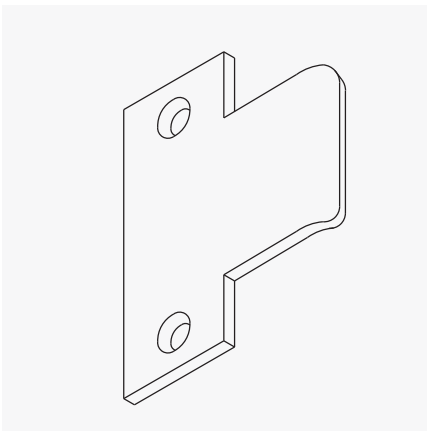
STAINLESS STEEL



STRIKER STANDARD

STANDARD STRIKER TO SUIT 3570 SERIES

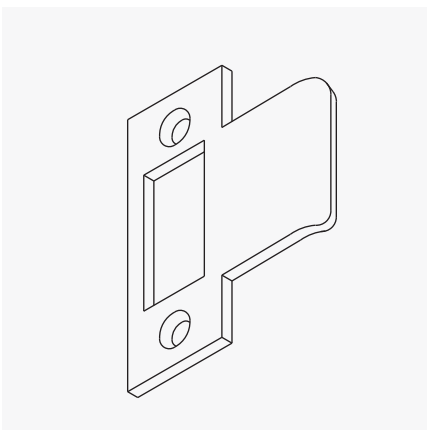
Part No.	External Plate Size	Material	Thickness
09351380	70mm x 30mm	Stainless Steel	1.2mm



STRIKER BLANK

NO LATCH CUTOUT, USED TO BLANK OFF STRIKER HOLE SUITS 3572

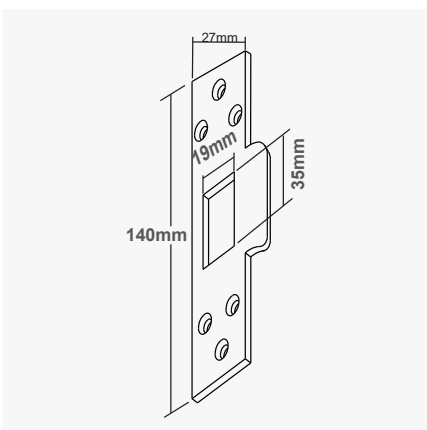
Part No.	External Plate Size	Material	Thickness
3572STRIKENC	70mm x 30mm	Stainless Steel	1.2mm



STRIKER OFFSET

USED IF THE TONGUE IS GRINDING ON THE STRIKER 3MM OFFSET SUITS 3572

Part No.	External Plate Size	Material	Thickness
09351306	70mm x 30mm	Stainless Steel	1.2mm



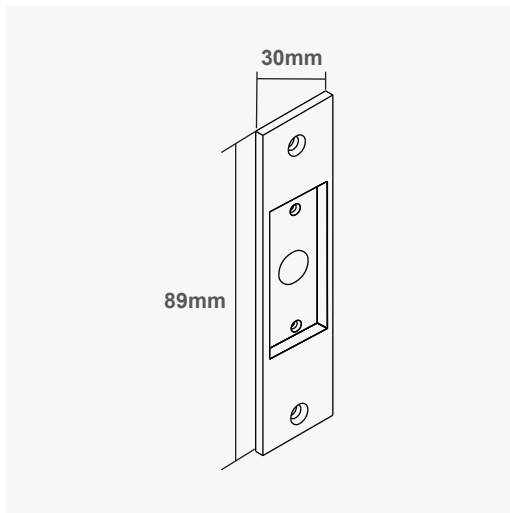
REPLACEMENT STRIKER

DESIGNED TO REPLACE LOCKWOOD 3571 WITH LOCKWOOD 3572

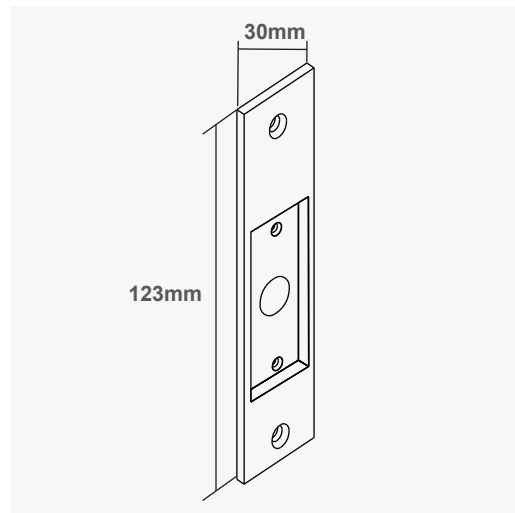
Part No.	External Plate Size	Material	Thickness
09351237	140mm x 27mm	Stainless Steel	3mm

MORTICE LOCK TO ENTRANCE SET

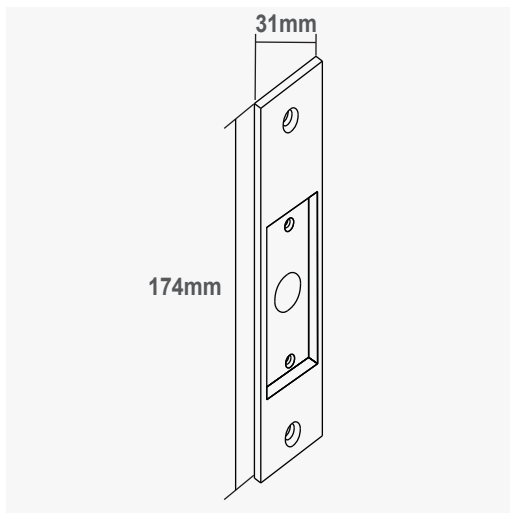
TO REPLACE OLD AND NEW STYLE MORTICE LOCKS
WITH ENTRANCE SETS




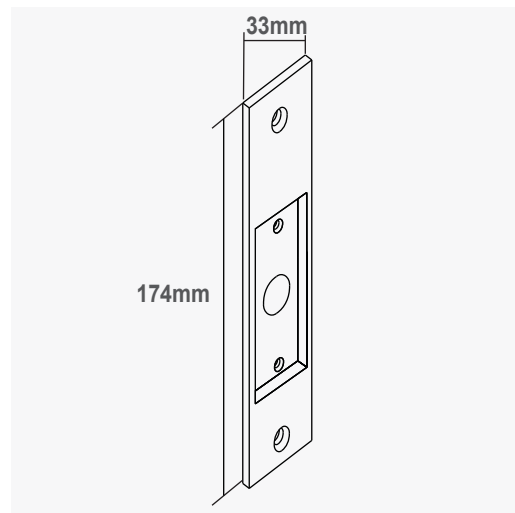
 **09351238**
OLD STYLE MCCULLUM
MORTICE LOCK



 **09351239**
OLD STYLE EFCO NIGHT LATCH
WITH HOLD BACK MORTICE LOCK



 **09351240**
NEW STYLE MORTICE LOCK TO
STANDARD 22MM WIDE BACKSET

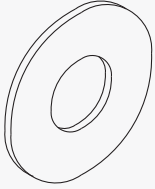


 **09351241**
NEW STYLE MORTICE LOCK TO
STANDARD 25MM WIDE BACKSET

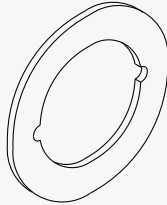
DRESS PLATES

STAINLESS STEEL

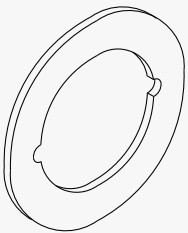
FS201



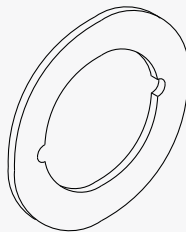
FS530



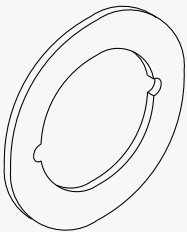
FS3000



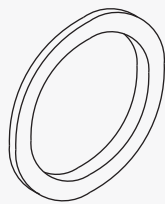
FS8000



FS800098



FS005



STANDARD DRESS PLATES

Part No.	Outer Ø	Inner Ø	Thickness
FS201	70mm	29mm	1.5mm
FS530	83mm	54mm	1.5mm
FS3000	98mm	54mm	1.5mm
FS8000	85mm	60mm	1.5mm
FS800098	98mm	60mm	1.5mm
FS005	72mm	54mm	1.5mm

09351112



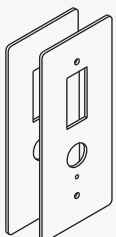
09351139



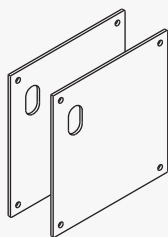
DRESS PLATES TO SUIT LOCKWOOD 530 DIGITAL

Part No.	Dimension	Material	Thickness
09351112	180mm x 65mm	Stainless Steel	1.5 mm
09351139	180mm x 65mm	Stainless Steel	1.5 mm

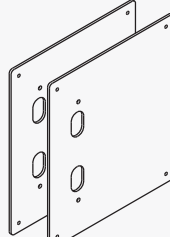
FS3572 (PKT2)



11351148 (PKT2)



11351147 (PKT2)



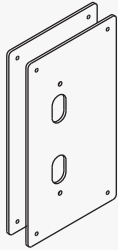
DRESS PLATES TO SUIT MORTISE LOCK

Part No.	Dimension	Thickness
FS3572	90mm x 210mm	1.5 mm
11351148	150mm x 160mm	1.5 mm
11351147	200mm x 230mm	1.5 mm

DRESS PLATES

STAINLESS STEEL

09351151 (PKT2)



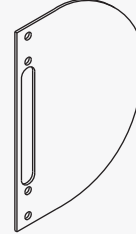
Dress Plates to suit Lockwood 1800 Series Furniture 165 x 230mm

11351155



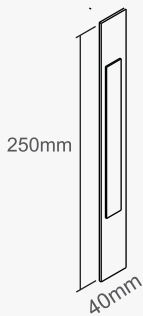
Used to reinforce double doors when PADDE ES200 / ES2000 strikers used

11351156



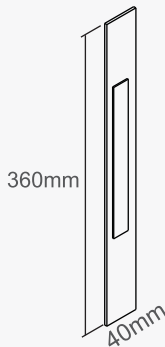
Used on the inside of the aluminium glass doors to protect 3582 lever furniture from screw driver attack through glass

Part No.	Dimension	Material	Thickness
09351151	165mm x 230mm	Stainless Steel	1.5 mm
11351155	150mm x 40mm	Stainless Steel	1.5 mm
11351156	245mm x 180mm	Stainless Steel	1.5 mm



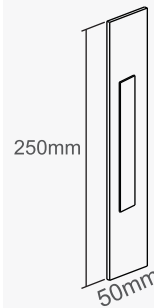
DP3582

Cover plate for Lockwood 3582



DP3582L

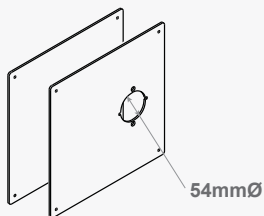
Cover plate for Lockwood 3582 Extended



DP3582S50

Part No.	Dimension	Material	Thickness
DP3582	250mm x 40mm	Stainless Steel	1.2 mm
DP3582L	360mm x 40mm	Stainless Steel	1.2 mm
DP3582S50	250mm x 50mm	Stainless Steel	1.2 mm

09351150



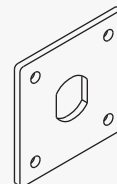
Used to cover 127mm backset holes and fit 8000 series lever set with 70mm backset (PKT2)

09351140



Cam Lock Dress Plate

09351196

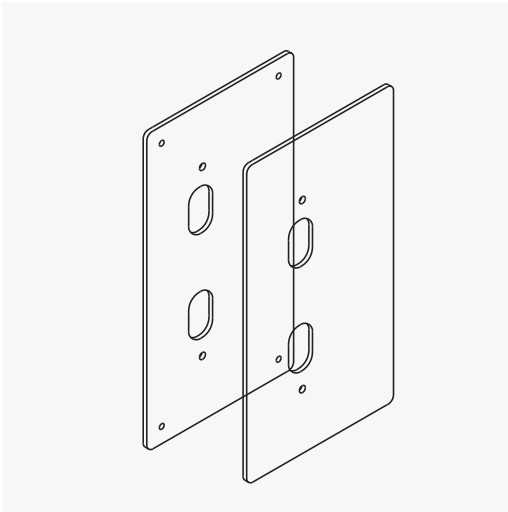


Cam Lock Anti-spin Plate

Part No.	Dimension	Material	Thickness
09351150	250mm x 250mm	Stainless Steel	1.5 mm
09351140	34.5 overall	Stainless Steel	1.5 mm
09351196	50mm x 50mm	Stainless Steel	1.5 mm

CONCEALED FIX DRESS PLATES

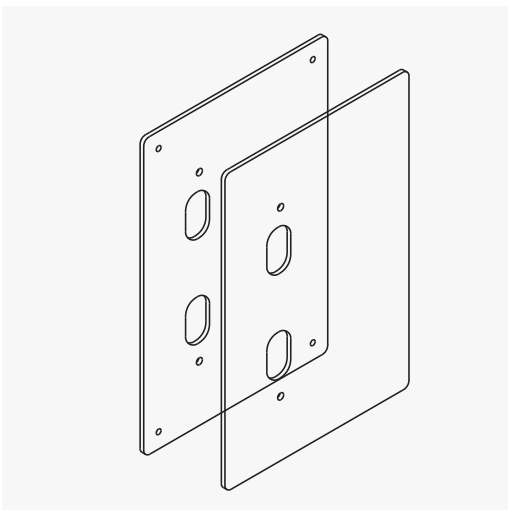
STAINLESS STEEL



09351303

CONCEALED DRESS PLATE TO SUIT LOCKWOOD 1800 SERIES FURNITURE 165mm X 230mm [PKT 2]

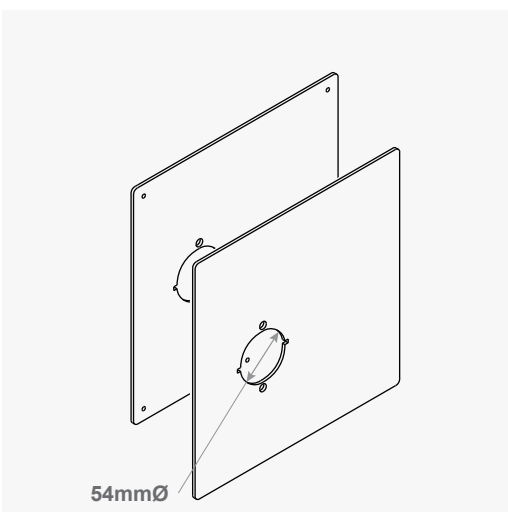
Part No.	Dimension	Material	Thickness
09351303	165mm x 230mm	Stainless Steel	1.5mm



09351304

CONCEALED DRESS PLATE TO SUIT LOCKWOOD 1800 SERIES FURNITURE 200mm X 230mm [PKT 2]

Part No.	Dimension	Material	Thickness
09351304	200mm x 230mm	Stainless Steel	1.5mm



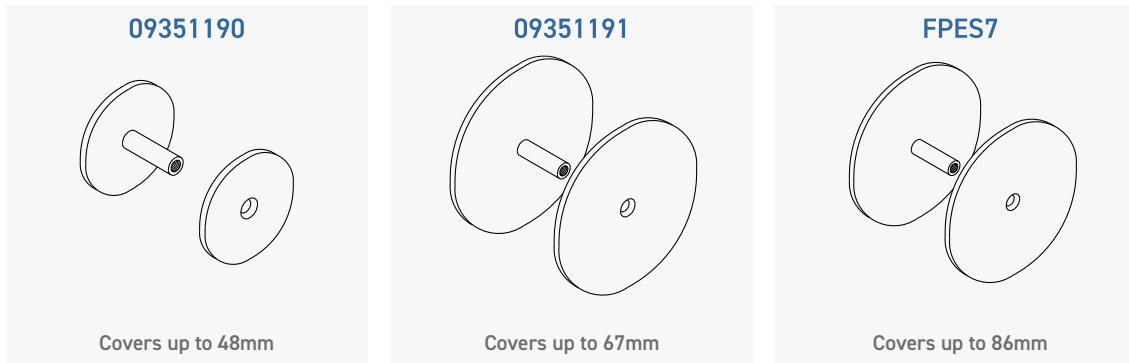
09351305

CONCEALED DRESS PLATE USED TO COVER 127mm BACKSET HOLES AND FIT 8000 SERIES LEVER SET WITH 70mm BACKSET [PKT 2]

Part No.	Dimension	Material	Thickness
09351305	250mm x 250mm	Stainless Steel	1.5mm

ENTRANCE SET FILLER PLATES

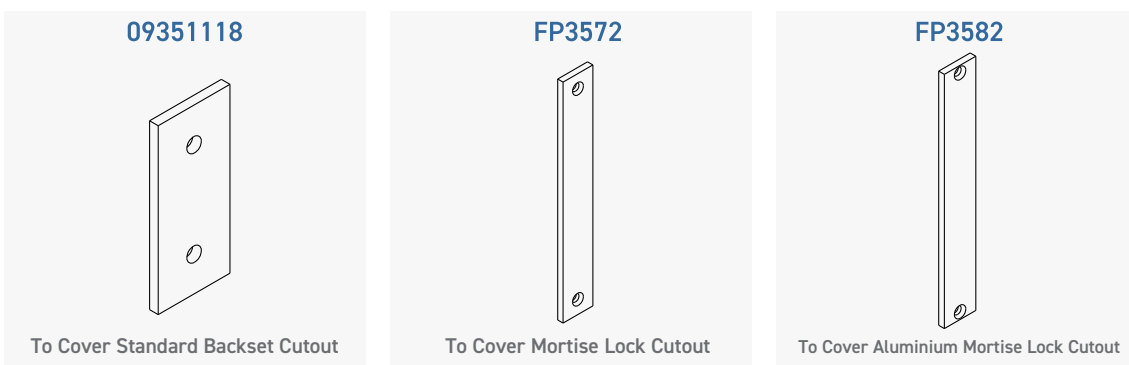
STAINLESS STEEL



Part No.	Dimension	Material
09351190	48mm	Stainless Steel
09351191	67mm	Stainless Steel
FPES7	86mm	Stainless Steel

BACK SET FILLER PLATES

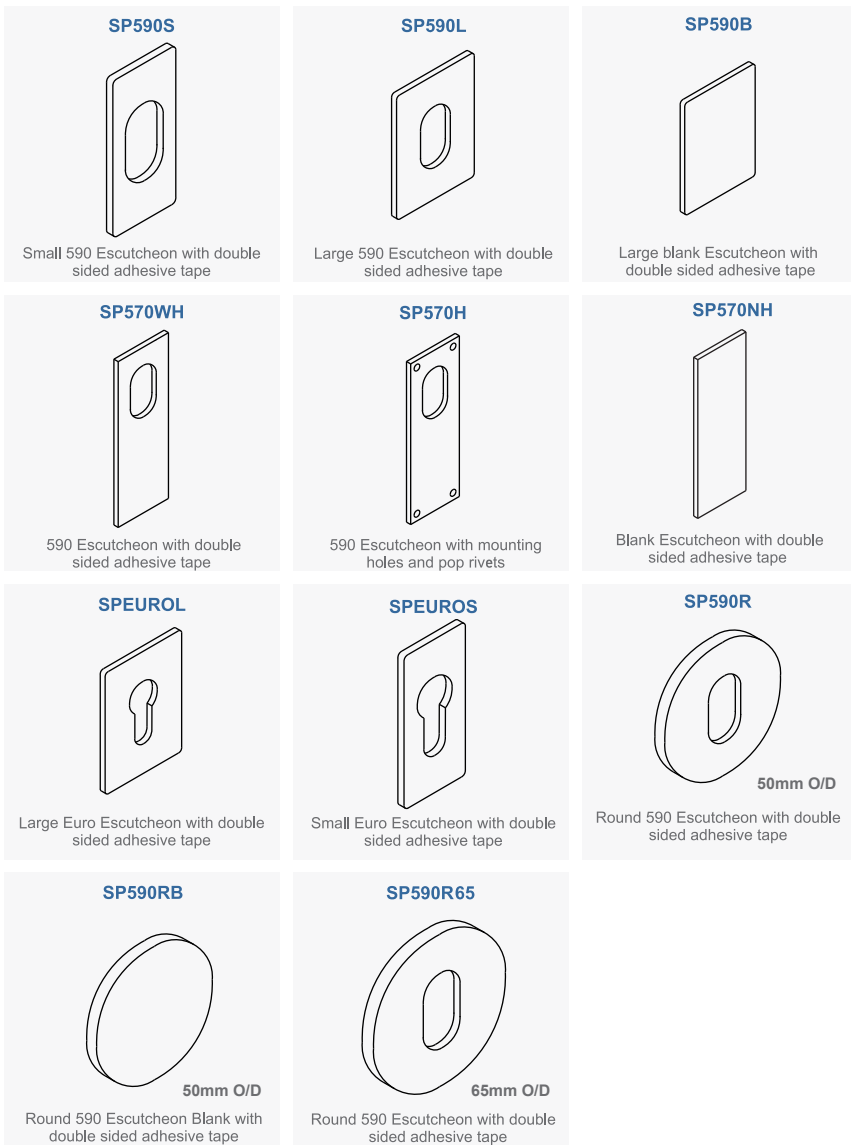
STAINLESS STEEL



Part No.	Dimension	Material	Thickness
09351118	25.7mm x 57.3mm	Stainless Steel	4 mm
FP3572	25.2mm x 175mm	Stainless Steel	4 mm
FP3582	26mm x 156mm	Stainless Steel	4 mm

ESCUTCHEONS

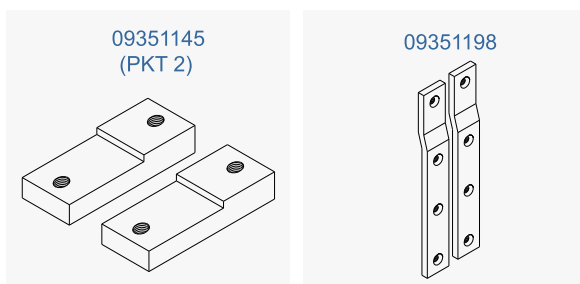
STAINLESS STEEL



ESCUTCHEONS

Part No.	Dimensions (mm)	Fixing
SP590S	30 x 65.6 x 1.5	D/TAPE
SP590L	47.5 x 66 x 1.5	D/TAPE
SP590B	47.5 x 66 x 1.5	D/TAPE
SP570WH	35 x 100 x 1.5	D/TAPE
SP570H	35 x 100 x 1.5	POP RIVETS
SP570NH	35 x 100 x 1.5	D/TAPE
SPEUROL	47.5 x 66 x 1.5	D/TAPE
SPEUROS	30 x 65.6 x 1.5	D/TAPE
SP590R	50mm Ø	D/TAPE
SP590RB	50mm Ø	D/TAPE
SP590R65	65mm Ø	D/TAPE

MOUNTING BLOCKS FOR ELECTRIC STRIKERS













09351145 / 09351198 MOUNTING BLOCK FOR ELECTRIC STRIKERS

Part No.	Dimension	Material
09351145	32mm x 13mm	Aluminium
09351198	88mm x 13mm	Gal/Steel

MORTISE LOCK FACE PLATES

STAINLESS STEEL

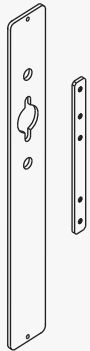
<p>FP3572EXT</p>  <p>Extended Face Plate for Lockwood Mortise Lock 3572</p>	<p>09351197</p>  <p>Extended Face Plate for Lockwood Mortise Lock 3582</p>	<p>AP591 NEW!</p>  <p>Face Plate for Lockwood 591 Latching Strike</p>	<p>FPBLS27CONV NEW!</p>  <p>Face Plate for Borg BLS 27-2000 and BLS 27-5000</p>	<p>FP3772EXT NEW!</p>  <p>Extended Face Plate for Lockwood Mortise Lock 3772</p>
<p>FP3782EXT NEW!</p>  <p>Extended Face Plate for Lockwood Mortise Lock 3782</p>	<p>FPMS2EXT NEW!</p>  <p>Extended Face Plate for Kaba MS2 Mortise Lock</p>	<p>FPSB2EXT NEW!</p>  <p>Extended Face Plate for Kaba SBM2 Mortise Lock</p>	<p>FP3582EXT360 NEW!</p>  <p>Extended Face Plate for Lockwood 3582 Mortise Lock 360mm</p>	<p>ROSSMLFPEXT NEW!</p>  <p>Extended Face Plate for Ross Mortise Lock</p>

Part No.	Dimension	Material	Thickness
FP3572EXT	260mm x 25mm	Stainless Steel	3mm
09351197	260mm x 25mm	Stainless Steel	3mm
AP591	185mm x 27mm	Stainless Steel	2mm
FPBLS27CONV	175mm x 25 mm	Stainless Steel	3mm
FP3772EXT	260mm x 25mm	Stainless Steel	3mm
FP3782EXT	260mm x 25mm	Stainless Steel	3mm
FPMS2EXT	260mm x 25mm	Stainless Steel	3mm
FPSB2EXT	260mm x 25mm	Stainless Steel	3mm
FP3582EXT360	360mm x 25mm	Stainless Steel	2mm
ROSSMLFPEXT	260mm x 25mm	Stainless Steel	3mm

ROLLER DOOR DRESS PLATES

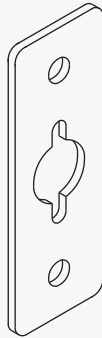
Stainless Steel

09351141



To Suit L&F Av9
C4 Roller Door Locks

09351142



To Suit L&F Av9
C4 Roller Door Locks

Part No.	Dimension	Material	Thickness
09351141	280mm x 38mm	Stainless Steel	1.5mm
09351142	115mm x 38mm	Stainless Steel	1.5mm

LEVER HANDLE MOUNTING PLATES

Used to Cover Extra Holes Drilled for Old Style Lockwood 5900 and 591

FS591SL



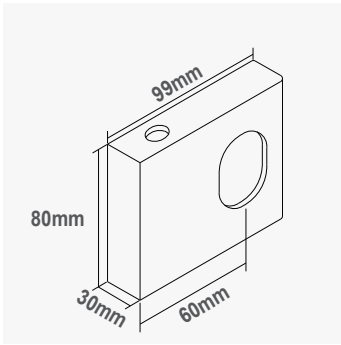
Used to cover extra holes
drilled for old style
Lockwood 5900 & 591

FS591SLBLANK



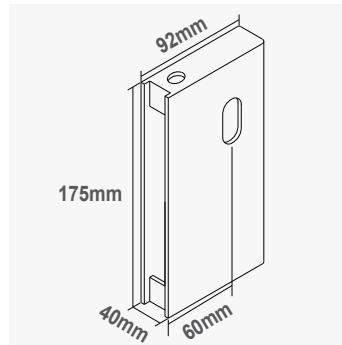
Part No.	Dimension	Material	Thickness
FS591SL	130mm x 40mm	Stainless Steel	2mm
FS591SLBLANK	130mm x 40mm	Stainless Steel	2mm

LOCK BOXES



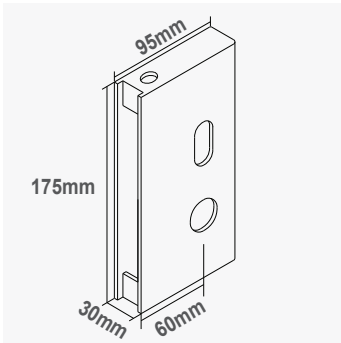
LB1
TO SUIT LOCKWOOD 001
DEADLOCK 30MM HOLE

WIDTH	99mm
HEIGHT	80mm
DEPTH	30mm
BACKSET	60mm



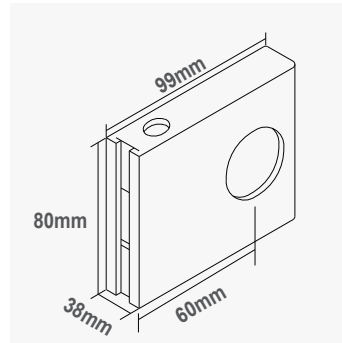
LB3A
TO SUIT LOCKWOOD 3772 /
KABA MS2 CYLINDER HOLE
FOR 40MM WIDE GATE
INCL. STAINLESS STEEL FACE PLATE

WIDTH	92mm
HEIGHT	175mm
DEPTH	40mm
BACKSET	60mm



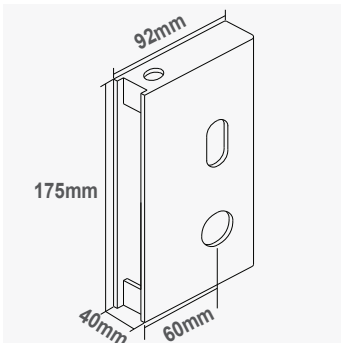
LB2
TO SUIT LOCKWOOD 3772 /
KABA MS2 CYLINDER &
SPINDLE HOLE

WIDTH	95mm
HEIGHT	175mm
DEPTH	30mm
BACKSET	60mm



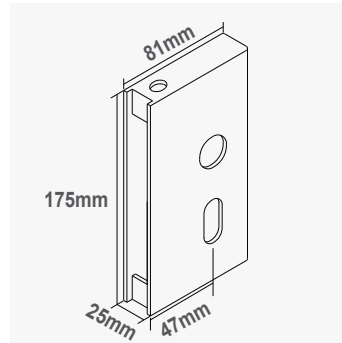
LB4
TO SUIT WHITCO 35MM
HOLE

WIDTH	99mm
HEIGHT	80mm
DEPTH	38mm
BACKSET	60mm



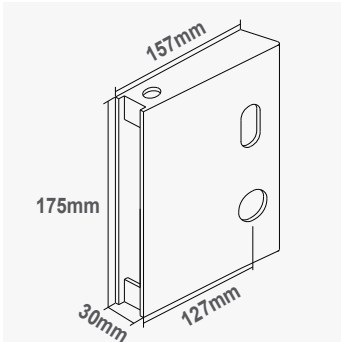
LB2A
TO SUIT LOCKWOOD 3772
/ KABA MS2 CYLINDER &
SPINDLE HOLE FOR 40MM
WIDE GATE
INCL. STAINLESS STEEL FACE PLATE

WIDTH	92mm
HEIGHT	175mm
DEPTH	40mm
BACKSET	60mm



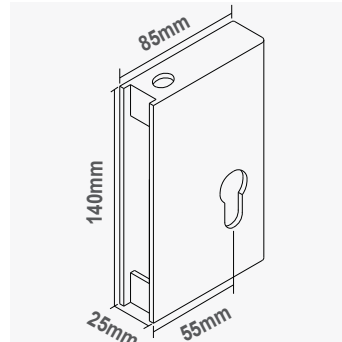
LB5
TO SUIT PROTECTOR
SMALL 47MM BACKSET

WIDTH	81mm
HEIGHT	175mm
DEPTH	25mm
BACKSET	47mm



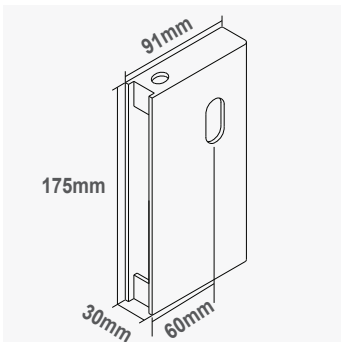
LB2B/LB2-127
TO SUIT LOCKWOOD 3772 /
KABA MS2 CYLINDER &
SPINDLE HOLE

WIDTH	157mm
HEIGHT	175mm
DEPTH	30mm
BACKSET	127mm



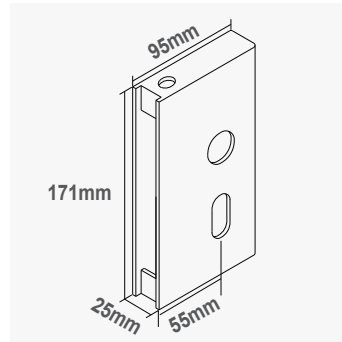
LB6
TO SUIT PROTECTOR
SMALL

WIDTH	85mm
HEIGHT	140mm
DEPTH	25mm
BACKSET	55mm



LB3
TO SUIT LOCKWOOD 3772 /
KABA MS2 CYLINDER HOLE
ONLY

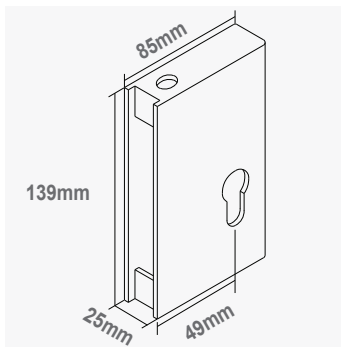
WIDTH	91mm
HEIGHT	175mm
DEPTH	30mm
BACKSET	60mm



LB7
TO SUIT PROTECTOR LARGE
60MM BACK SET

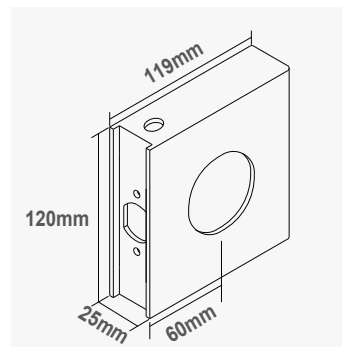
WIDTH	95mm
HEIGHT	171mm
DEPTH	25mm
BACKSET	55mm

LOCK BOXES



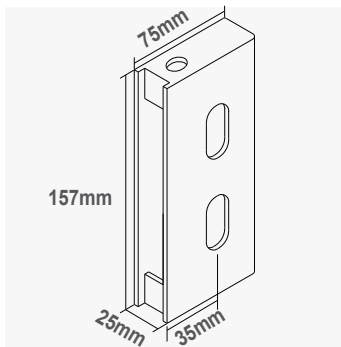
LB9
TO SUIT CHUBB 3G114 / PL80

WIDTH	85mm
HEIGHT	139mm
DEPTH	25mm
BACKSET	53mm



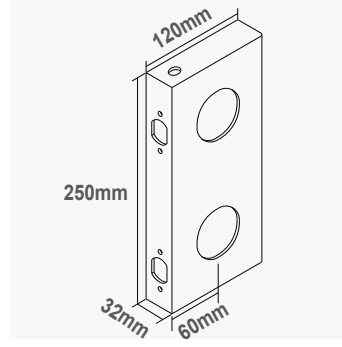
LB15
TO SUIT DEADBOLT 54MM HOLE

WIDTH	119mm
HEIGHT	120mm
DEPTH	25mm
BACKSET	60mm



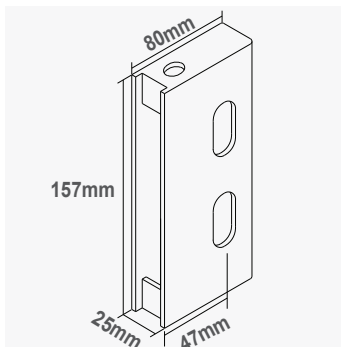
LB10
TO SUIT CHUBB 3K74 / PL67

WIDTH	75mm
HEIGHT	157mm
DEPTH	25mm
BACKSET	40mm



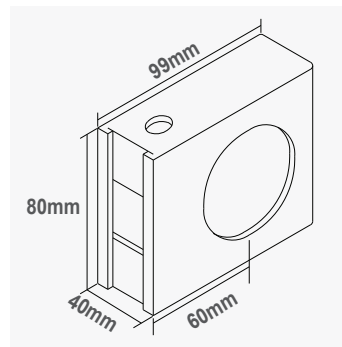
LB16
TO SUIT ENTRANCE & DEADBOLT

WIDTH	120mm
HEIGHT	250mm
DEPTH	32mm
BACKSET	60mm



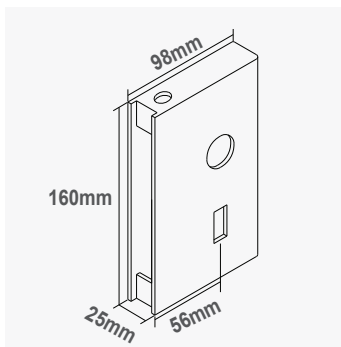
LB11
TO SUIT CHUBB 3K74 / PL80

WIDTH	80mm
HEIGHT	157mm
DEPTH	25mm
BACKSET	53mm



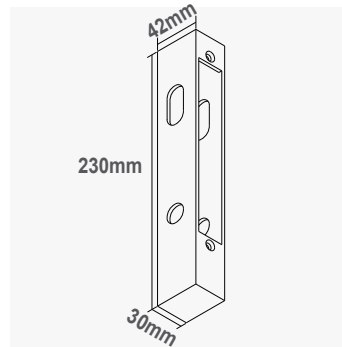
LB17
TO SUIT WHITCO 54mm HOLE

WIDTH	99mm
HEIGHT	80mm
DEPTH	40mm
BACKSET	60mm



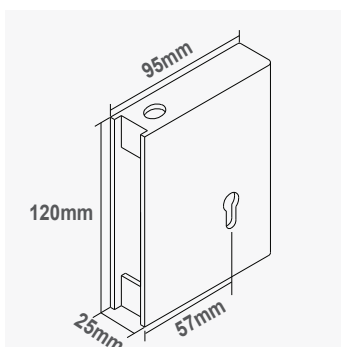
LB12
TO SUIT JACKSON JM560

WIDTH	98mm
HEIGHT	160mm
DEPTH	25mm
BACKSET	60mm



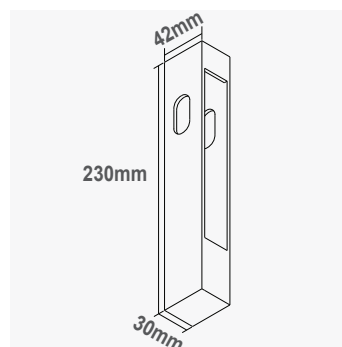
LB18
TO SUIT LOCKWOOD 3782 / KABA SBM2 WITH CYLINDER & SPINDLE HOLE

WIDTH	42mm
HEIGHT	230mm
DEPTH	30mm
BACKSET	23mm



LB14
TO SUIT JACKSON JM29

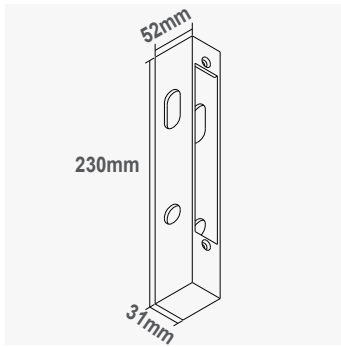
WIDTH	95mm
HEIGHT	120mm
DEPTH	25mm
BACKSET	60mm



LB18A
TO SUIT LOCKWOOD 3782 / KABA SBM2 WITH CYLINDER HOLE

WIDTH	42mm
HEIGHT	230mm
DEPTH	30mm
BACKSET	23mm

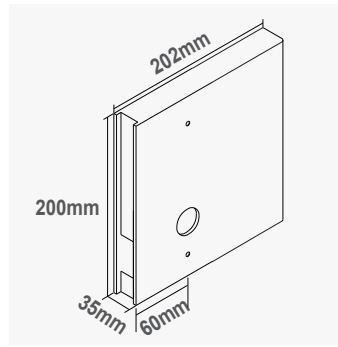
LOCK BOXES



LB18P

TO SUIT LEGGE 995MF
WITH CYL & SPINDLE HOLE

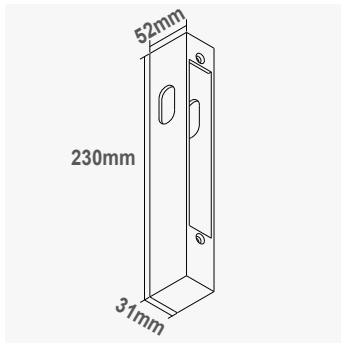
WIDTH	52mm
HEIGHT	230mm
DEPTH	31mm
BACKSET	22mm



LB22

TO SUIT BORG 5000 SERIES
DIGITAL

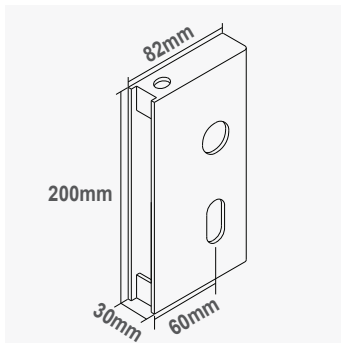
WIDTH	202mm
HEIGHT	200mm
DEPTH	35mm
BACKSET	60mm



LB18AP

TO SUIT LEGGE 995MF
WITH CYL. HOLE

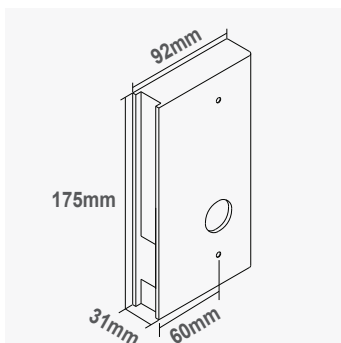
WIDTH	52mm
HEIGHT	230mm
DEPTH	31mm
BACKSET	22mm



LB19

TO SUIT GAINSBROUGH 3440
WITH CYL & SPINDLE

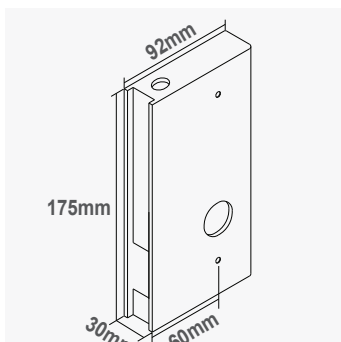
WIDTH	82mm
HEIGHT	200mm
DEPTH	30mm
BACKSET	60mm



LB20

TO SUIT LOCKWOOD 530DX

WIDTH	92mm
HEIGHT	175mm
DEPTH	31mm
BACKSET	60mm



LB21

TO SUIT BORG 2000 SERIES
DIGITAL

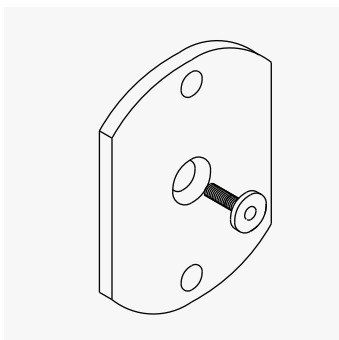
WIDTH	92mm
HEIGHT	175mm
DEPTH	30mm
BACKSET	60mm

PULL PLATES



Part No.	Dimension <small>Incl. Lip</small>	Material	Thickness	Hole \varnothing
09351136	60mm x 100mm	Stainless Steel	1.5mm	32mm
09351137	80mm x 100mm	Stainless Steel	1.5mm	32mm
09351138	80mm x 110mm	Stainless Steel	1.5mm	40mm
09351215	60mm x 100mm	Stainless Steel	1.5mm	N/A
09351302	80mm x 110mm	Stainless Steel	1.5mm	N/A
09351242	80mm x 110mm	Stainless Steel	1.5mm	54mm

PULL HANDLE MOUNTING PLATE

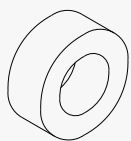


PHB1
PULL HANDLE MOUNTING PLATE

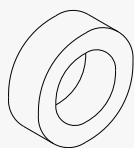
Part No.	Dimension	Material	Thickness
PHB1	54mm x 37mm	Stainless Steel	3mm

PADLOCK COLLARS

NEW!



8345COLLAR
8345SSCOLLAR



8350COLLAR



8355COLLAR



FS234860

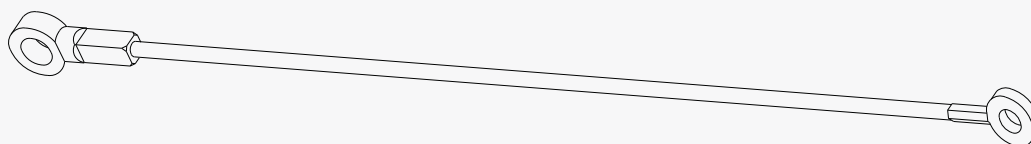


7240COLLAR

Stainless Steel

Part No.	ID	OD	To Suit
8345COLLAR	8mm	15.8mm	ABUS 83/45
8345SSCOLLAR	7.8mm	15.8mm	ABUS 83IB45
8350COLLAR	9.5mm	15.8mm	ABUS 83/50 Lockwood 245
8355COLLAR	11.3mm	19mm	ABUS 83/55
FS234860	8.8mm	15.8mm	Lockwood 234/334
7240COLLAR	6mm	9.5mm	ABUS 72/40

PADLOCK LANYARDS

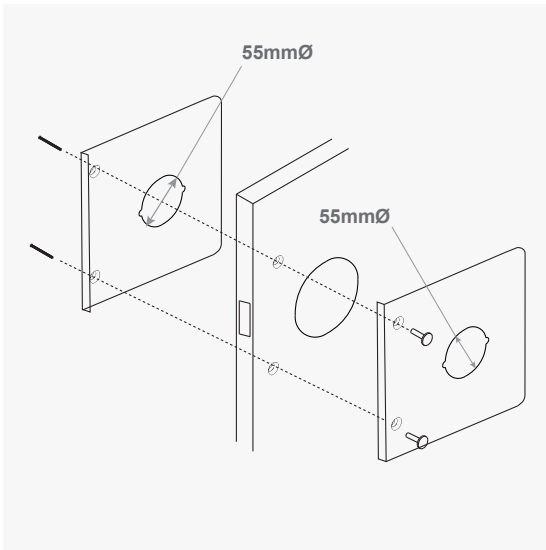


LAN 45 / 50 / 234

Part No.	Length	Thickness	To Suit
FSLAN45	300mm	4mm	ABUS 83/45
FSLAN50	300mm	4mm	ABUS 83/50 / Lockwood 245
FSLAN234	300mm	4mm	Lockwood 334

DOOR GUARDS

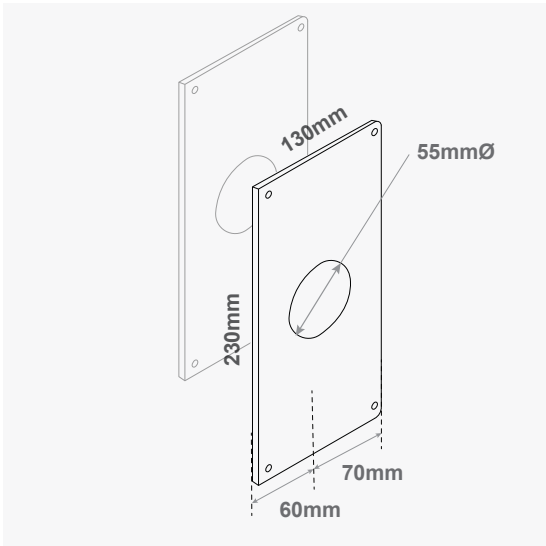
STAINLESS STEEL



DG60 / DG70 / DG127

BDS DOOR GUARD PKT 2

Part No.	Dimension	Thickness	Backset
DG60	150mm x 110mm	1.2mm	60mm
DG70	150mm x 121mm	1.2mm	70mm
DG127	150mm x 180mm	1.2mm	127mm

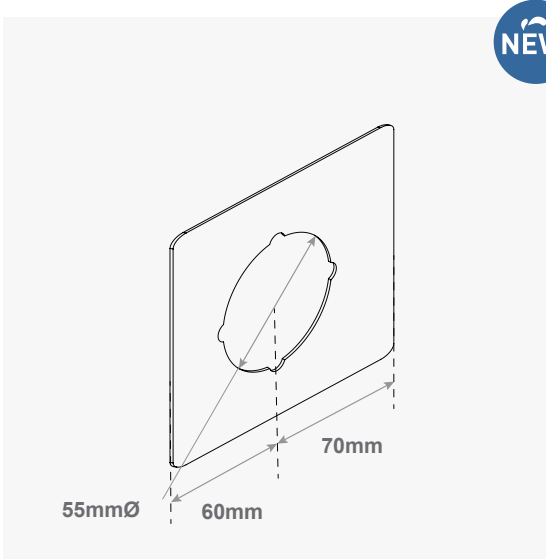


09351243

BDS DRESS PLATE, OFFSET 60/70 PKT 2

Part No.	Dimension	Thickness	Backset
09351243	230mm x 130mm	1.5mm	60 / 70 mm

NEW!

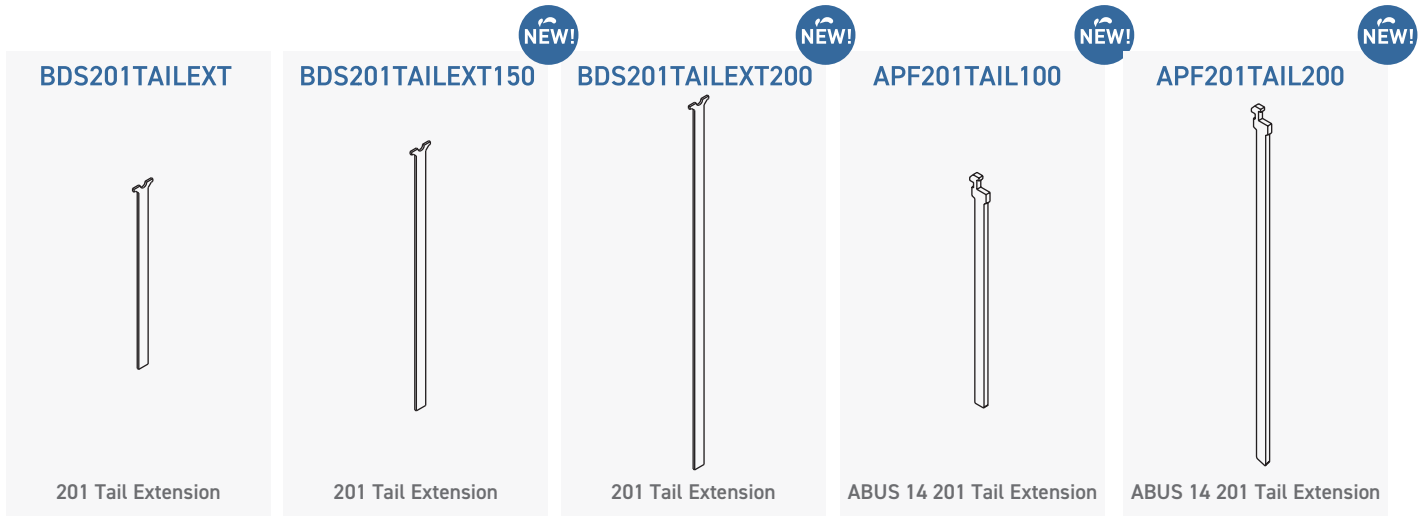


09351450

BDS SCAR PLATE SUITS BRAVA URBAN AND LOCKWOOD 530/930 SERIES LOCKSETS. STAINLESS STEEL.

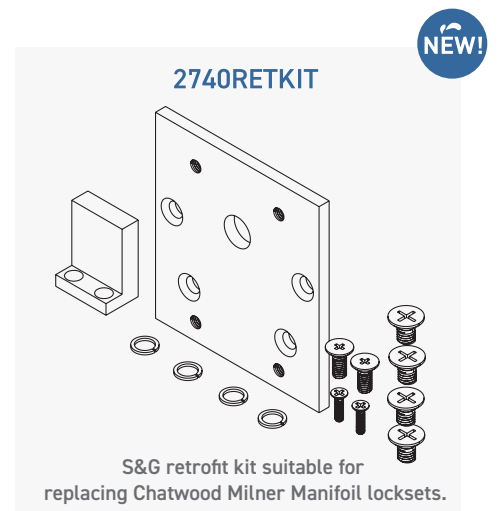
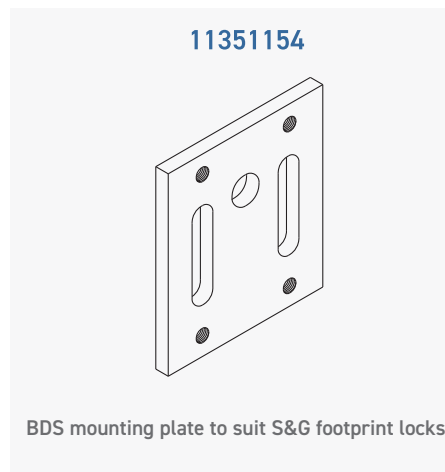
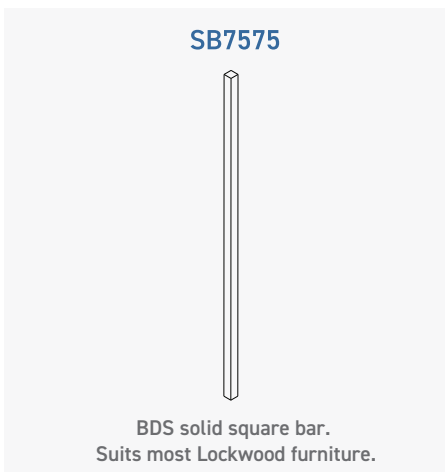
Part No.	Dimension	Thickness	Backset
09351450	85mm x 130mm	1.2mm	60 / 70 mm

MISCELLANEOUS PRODUCT



TAIL EXTENSIONS

Part No.	Length	Material	Thickness
BDS201TAILEXT	100mm	Stainless Steel	2mm
BDS201TAILEXT150	150mm	Stainless Steel	2mm
BDS201TAILEXT200	200mm	Stainless Steel	2mm
APF201TAIL100	100mm	Stainless Steel	2mm
APF201TAIL200	200mm	Stainless Steel	2mm

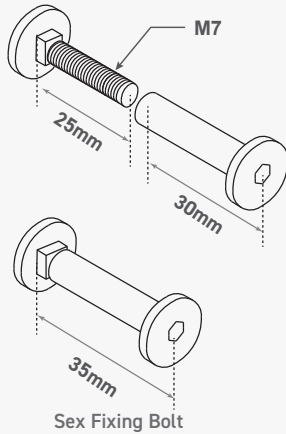


Part No.	Length	Material	Thickness
SB7575	300mm	Mild Steel	7.5mm x 7.5mm
11351154	85mm x 75mm	Mild Steel	6 mm
2740RETKIT	89mm x 81mm	Mild Steel	5 mm

MISCELLANEOUS PRODUCT

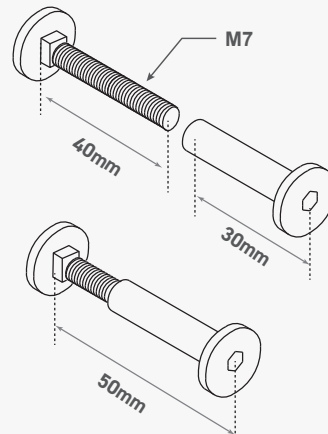
NEW!

CLMSS (Mild Steel)
or CLSEX (Stainless Steel)



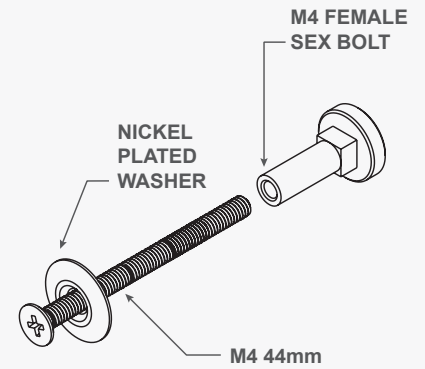
NEW!

CLMSSEX (Mild Steel Extended)
CLSEXEXD (S/Steel Extended)



NEW!

CLDOME

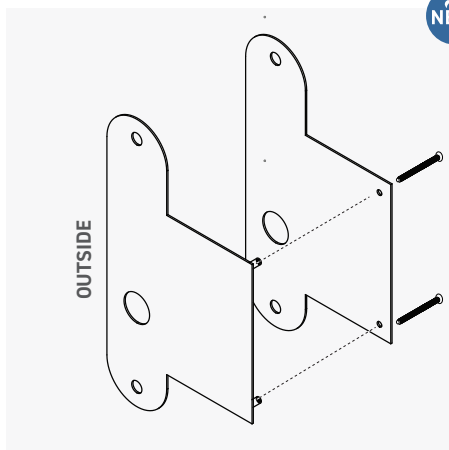


Dome head nut and screw to suit
CL3570/3580 blocker.
65mm Closed.

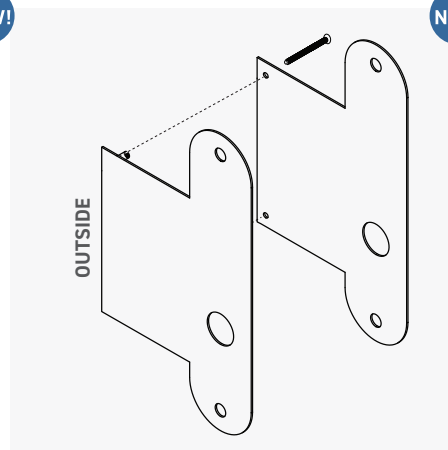
Part No.	Max Thickness	Material	Thread
CLMSS	30mm	Mild Steel	M7
CLSEX	30mm	Stainless Steel	M7
CLMSSEX	50mm	Mild Steel	M7
CLSEXEXD	50mm	Stainless Steel	M7
CLDOME	70mm	Stainless Steel	M4

SALTO DRESS PLATES

NEW!



NEW!



SALARTPLKLH

SALTO DRESS PLATES TO SUIT
RETROFIT FROM LOCKWOOD
ARTEFACT TO SALTO XS4 ANSI
WIDE BODY ESCUTCHEONS.

THICKNESS 1.5 mm



SALARTPKRH

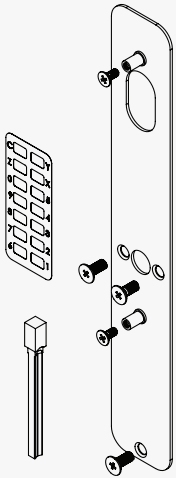
SALTO DRESS PLATES TO SUIT
RETROFIT FROM LOCKWOOD
ARTEFACT TO SALTO XS4 ANSI
WIDE BODY ESCUTCHEONS.

THICKNESS 1.5 mm

BORG 2000 & 5000 SERIES ADAPTER PLATES - STAINLESS STEEL

09351500

NEW!

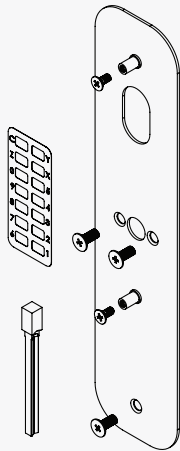


To Suit Borg 2000 Series
with Key Override for
Aluminium Style
Mortise Locks

WIDTH	40.5mm
HEIGHT	265mm
THICKNESS	1.5mm

09351550

NEW!

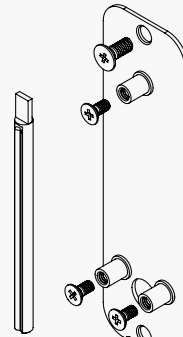


To Suit Borg 2000 Series
with Key Override for
Timber Style Mortise Locks

WIDTH	60mm
HEIGHT	265mm
THICKNESS	1.5mm

BL002KIT

NEW!

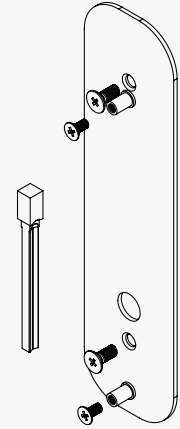


To Suit Borg 2000 Series
001- Adaptor Plate

WIDTH	40.5mm
HEIGHT	141mm
THICKNESS	1.5mm

BL3572KIT

NEW!

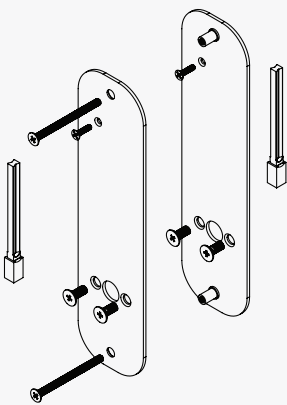


To Suit Borg 2000 Series
Timber Style Mortise Lock
Adaptor Plate

WIDTH	52mm
HEIGHT	200mm
THICKNESS	2mm

BL3572KITBTB

NEW!

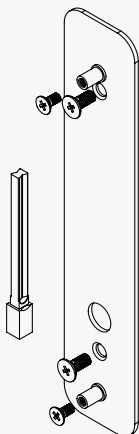


To Suit Borg 2000 Series
Back to Back Adaptor
Plates to suit Timber
Style Mortise Locks

WIDTH	52mm
HEIGHT	200mm
THICKNESS	2mm

BL3582KIT

NEW!

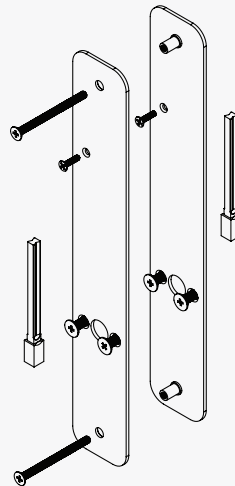


To Suit Borg 2000 Series
Adaptor Plate to Suit
Aluminium Style
Mortise Locks

WIDTH	40.5mm
HEIGHT	200mm
THICKNESS	2mm

BL3582KITBTB

NEW!

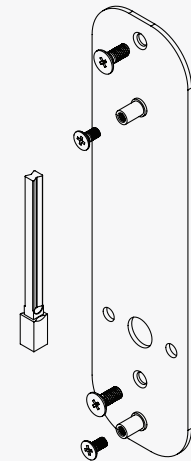


To Suit Borg 2000 Series
Adaptor Plate to Suit
Aluminium Style
Mortise Locks

WIDTH	40.5mm
HEIGHT	260mm
THICKNESS	2mm

BL50013572K

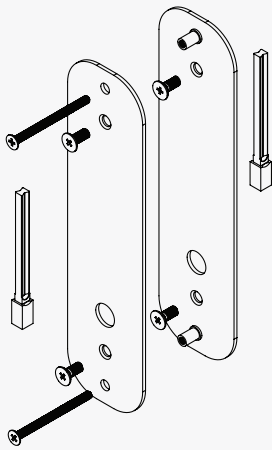
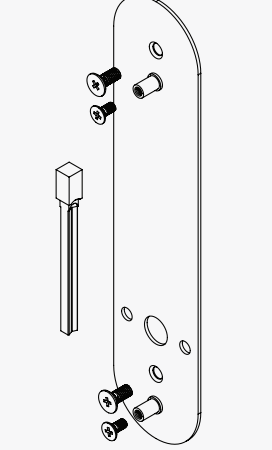
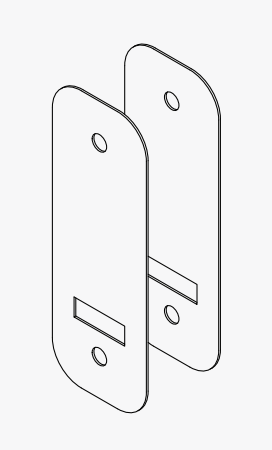
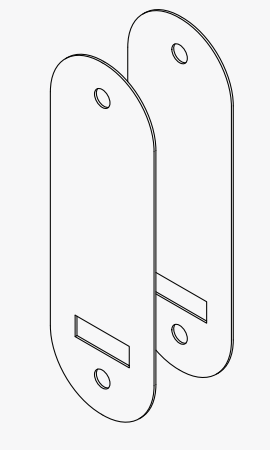
NEW!



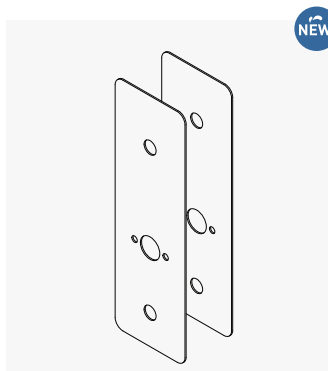
To Suit Borg 5000 Series
Adaptor Plate to Suit
Timber Style
Mortise Locks

WIDTH	52mm
HEIGHT	200mm
THICKNESS	2mm

BORG 2000 & 5000 SERIES ADAPTER PLATES - STAINLESS STEEL

<p>BL50013572KBTB NEW!</p>  <p>To Suit Borg 5000 Series Back to Back Adaptor Plate to Suit Timber Style Mortise Lock</p>	<p>BL50013582K NEW!</p>  <p>To Suit Borg 5000 Series Adaptor Plate to Suit Aluminium Style Mortise Lock</p>	<p>BLSPLT NEW!</p>  <p>Scar Plate to Suit Borg 2000 Series</p>	<p>SPBL5001 NEW!</p>  <p>Scar Plate to Suit Borg 5000 Series</p>																								
<table border="1"> <tr><td>WIDTH</td><td>52mm</td></tr> <tr><td>HEIGHT</td><td>200mm</td></tr> <tr><td>THICKNESS</td><td>2mm</td></tr> </table>	WIDTH	52mm	HEIGHT	200mm	THICKNESS	2mm	<table border="1"> <tr><td>WIDTH</td><td>60mm</td></tr> <tr><td>HEIGHT</td><td>265mm</td></tr> <tr><td>THICKNESS</td><td>1.5mm</td></tr> </table>	WIDTH	60mm	HEIGHT	265mm	THICKNESS	1.5mm	<table border="1"> <tr><td>WIDTH</td><td>65mm</td></tr> <tr><td>HEIGHT</td><td>180mm</td></tr> <tr><td>THICKNESS</td><td>1.2mm</td></tr> </table>	WIDTH	65mm	HEIGHT	180mm	THICKNESS	1.2mm	<table border="1"> <tr><td>WIDTH</td><td>67mm</td></tr> <tr><td>HEIGHT</td><td>197mm</td></tr> <tr><td>THICKNESS</td><td>1.2mm</td></tr> </table>	WIDTH	67mm	HEIGHT	197mm	THICKNESS	1.2mm
WIDTH	52mm																										
HEIGHT	200mm																										
THICKNESS	2mm																										
WIDTH	60mm																										
HEIGHT	265mm																										
THICKNESS	1.5mm																										
WIDTH	65mm																										
HEIGHT	180mm																										
THICKNESS	1.2mm																										
WIDTH	67mm																										
HEIGHT	197mm																										
THICKNESS	1.2mm																										

QUANTUM LOCK DRESS PLATE



NEW!

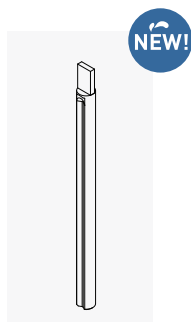


SPQL8000

Quantum Dress Plate to suit QL8000 PKT=2

Part No.	Dimension	Material	Thickness
SPQL8000	90mm X 280mm	Stainless Steel	1.5mm

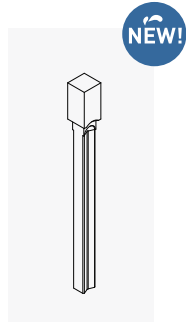
SPARE PARTS



NEW!

BL2000002SPDL

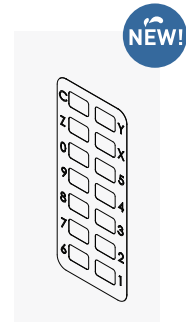
Flat Spindle
Suits BL002



NEW!

BLMORTSPDL

Square Spindle
Suits 2000 &
5000 series



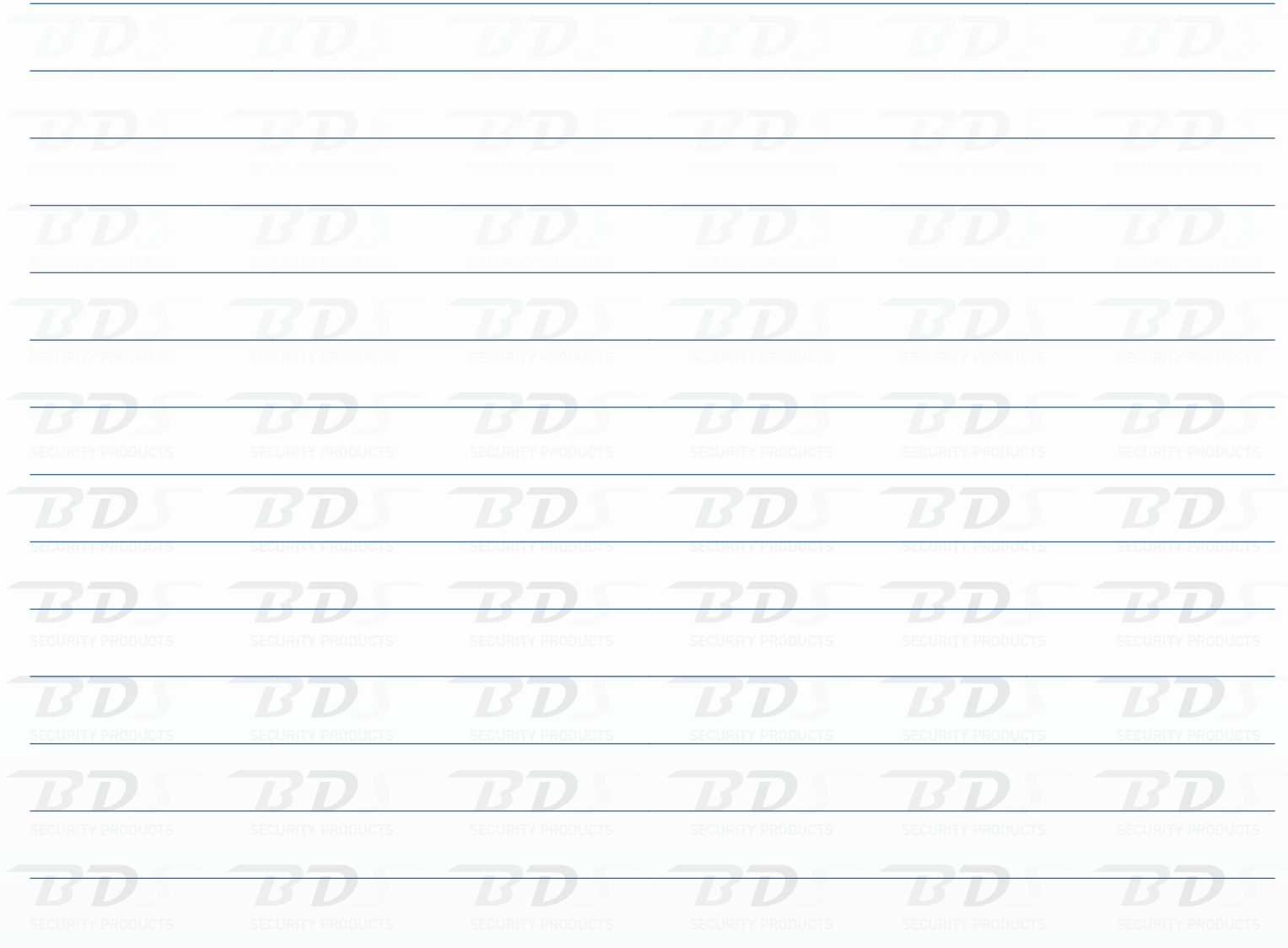
NEW!

BL2000KORSTICKER

Overlay Sticker



NOTES:



LSC Head Office

140-158 Dryburgh Street
North Melbourne, VIC 3051

☎ 03 9329 7222

☎ 03 9329 2570

LSC South Australia

333 Halifax Street
Adelaide, SA 5000

☎ 08 8223 2999

☎ 08 8223 1777

LSC New South Wales

44 Skarratt Street
Silverwater, NSW 2128

☎ 02 9647 8111

☎ 02 9647 8100

LSC Western Australia

9 Brennan Way
Belmont WA 6104

☎ 08 9328 7488

☎ 08 9227 7363

LSC Queensland

15-17 Jeays Street
Bowen Hills, QLD 4006

☎ 07 3252 1056

☎ 07 3252 1087

LSC Auckland

32A Poland Rd.
Glenfield, Auckland 0627

+649 444 5117

+649 444 5119

BDS

SECURITY PRODUCTS

LSC

WWW.LSC.COM.AU