

RYOBI®



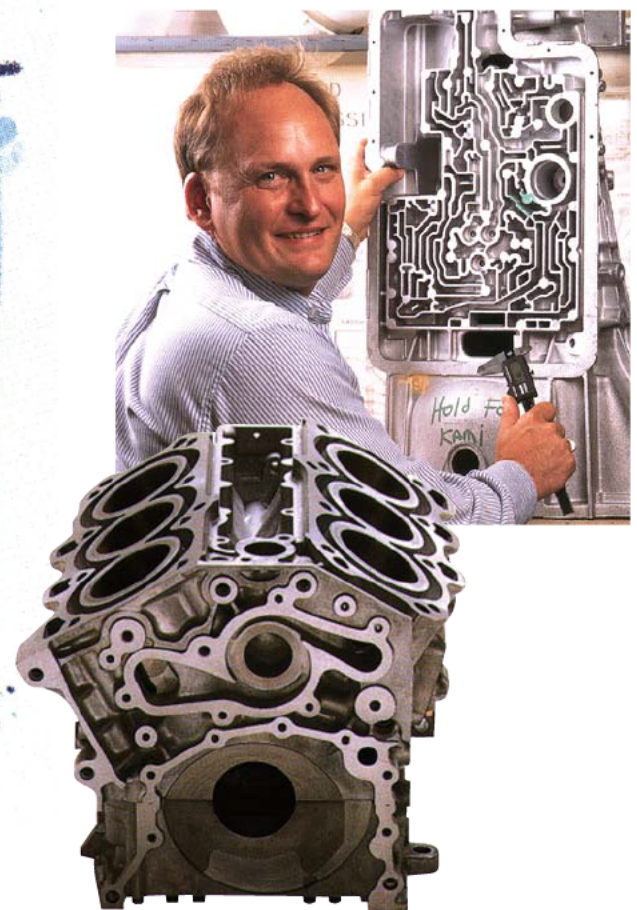
- A
- P
- S_{top}
- N S_{top}
- 2 Speed
- B.C.
- D.A.
- Torque
- 2VA
- R and L
- 2,000,000 cycles
- UL listed
- EN1154 (Inc. EN1634 part.1)
- ANSI A156.4 GRADE1
- ADA
- Sliding Arm
- Cover

Overhead Door Closer **RYOBI D-3550**

RYOBI

ENGINEERING EXCELLENCE

When you choose a Ryobi closer you are getting a masterpiece of precision engineering. Produced to exacting standards in closer design, this exceptional alloy is made from high strength Aluminum Alloy, this exceptional alloy is made from cylinder blocks and automotive components with low friction properties, ensuring a life long performance... Guaranteed.



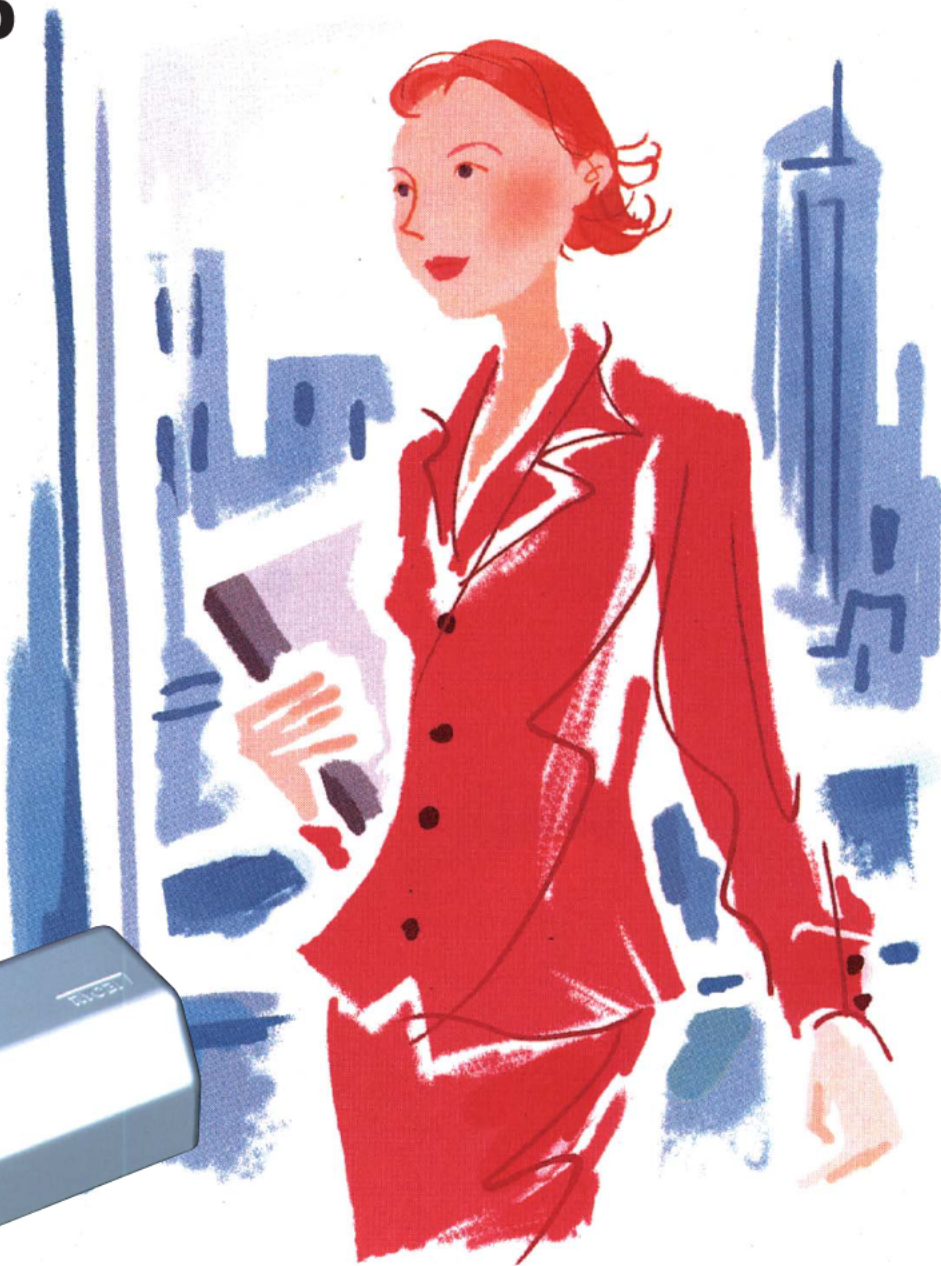
The technology behind Ryobi Door Closers

Ryobi is the worlds largest manufacturer of Aluminum die-castings. Producing products extensively for the automotive industry, such as Cylinder blocks and precision Die-cast components, Ryobi fully integrated production systems are synonymous with World class manufacturing. Capitalizing on its advanced die-casting technology, Ryobi's D-3550 series Door Closers utilize R14 high silicon Aluminum alloy, a high specification alloy developed for the automotive industry, whose exacting standards of quality and durability are encompassed in the Ryobi Door Closer range. Ryobi... Quality second to none.

OBI

PRECISE AS STANDARD

Guaranteed a product of the highest quality. Through design and technology, each component is a masterpiece. The housing is produced exclusively from R14 aluminum, normally found only in high performance aircraft. R14 is a high silicon alloy, combining strength with minimal piston wear, smooth operation



Industry standards

Ryobi D-3550 series Door Closers have been successfully type-tested for conformity to all of the requirements of EN1154, in addition to EN1634, part 1 for Fire doors.

Test reports and / or certificates are available on request.

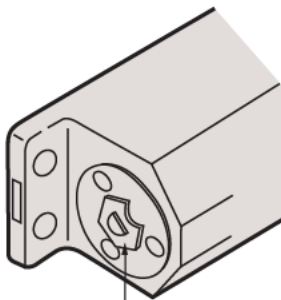
APPLICATION

	STANDARD	PARALLEL	UNIVERSAL	TRACK-RAIL
Non Hold-Open	D-3550	D-3550P	D-3550 UNIV	D-3550T
Hold-Open	DS-3550	DS-3550P	—	DS-3550T
Spring Strength	2-6 Spring Variable			1-3 Spring Variable
	To EN1154	2-5 Spring Variable		—
Door Width/ Door Weight	External	≤1350MM/ 150KG		≤900MM/ 65KG
	Internal	≤1500MM/ 150KG		≤1050MM/ 65KG
	To EN1154	≤1250MM/ 100KG		—

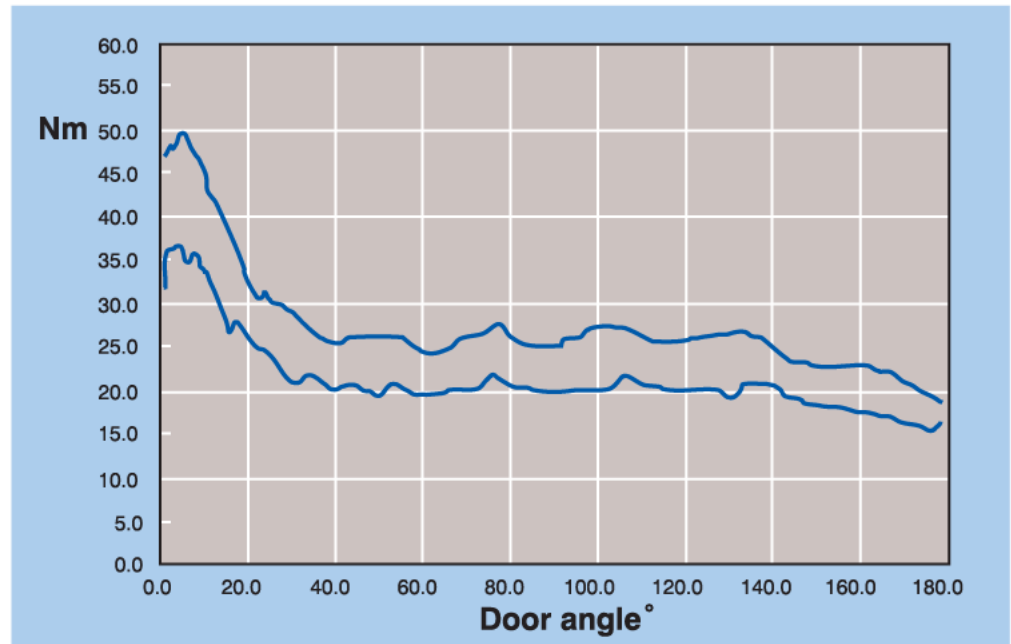
* To order models with Delayed Action, suffix DA to closer. EX. D-3550DA / D-3550DA UNIV. / D-3550TDA

CLOSING POWER ADJUSTMENT

Spring Power adjustable according to door weight and width, 2 through 6 + 15% over ANSI A156. 4, 2 through 5 + 35% over EN1154. Refer to installation instructions. Factory preset size 3 standard installation.

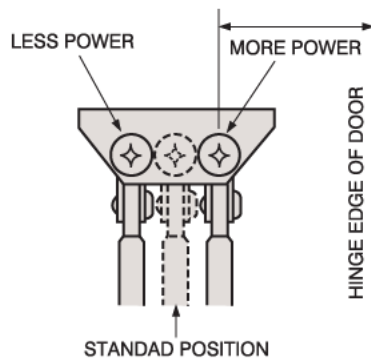


SPRING ADJUSTING NUT



LATCHING POWER ADJUSTMENT

By changing the position of the frame arm on the foot bracket closing force at the latch can be increased or decreased. This can be achieved with the foot bracket in position.

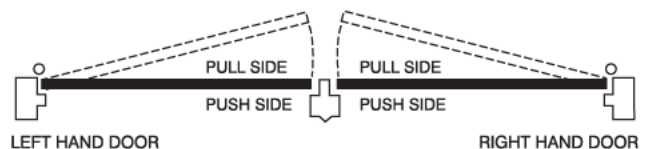


LOW OPENING RESISTANCE/ HIGHER EFFICIENCY

A precise production for every components based on Ryobi's original quality control system realized higher efficiency of almost 70% at the average of all ranges and decreased opening resistance to the lowest for elderly and handicapped persons.

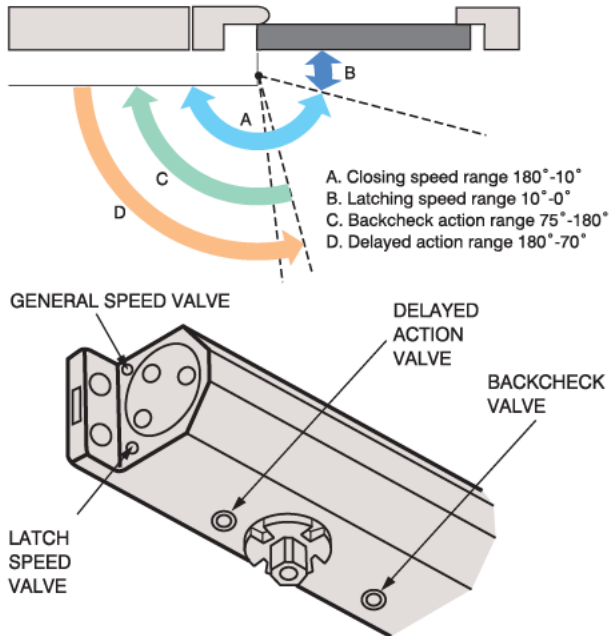
NON-HANDED

D-3550 Series Door Closers can be used on both RH and LH doors for both push side and pull side mountings.



■ FULL HYDRAULIC CONTROL

Controls the door through the entire opening and closing cycles by providing adjustable backcheck upon opening and adjustable general and latch speed through the closing cycle. A separate hydraulic valve allows adjustment to delay the closing speed from 180 to 70 degrees of door opening range.



■ ADJUSTABLE BACKCHECK

A backcheck feature set and adjusted by an independent valve. When introduced the backcheck stalls the opening of the door around 70 degrees. When doors are violently opened by pedestrians or wind, the backcheck feature reduces the likelihood of damage should contact be made with an adjacent wall or obstacle. For busy doors in public building, schools and colleges this facility protects people and property.



■ OPTIONAL DELAYED ACTION

An optional delayed action feature adjusted by means of an independent valve. Once set, the door - when opened beyond 70 degrees enters into a delayed mode allowing additional time before the closing. Delayed time can be adjusted to vary from seconds to minutes depending on the angle to which the door is opened. Delayed Closing Action is an advantage to : Nursing staff assisting patients, Domestic staff pushing meals or maintenance trolleys, and the elderly or infirm walking with sticks or frames under supervision.

■ FOR FIRE DOOR

D-3550 Series Door Closers have been successfully type-tested for conformity to all of the requirements of EN1154 (including EN1634 Part. 1)

■ ALL SEASON FLUID

All season fluid eliminates the need for seasonal adjustment.

■ PERIODIC HOLD OPEN

None required other than to check security of fixings on a regular basis.

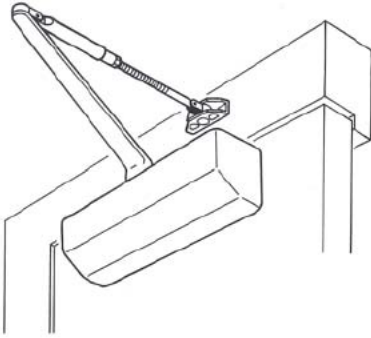
■ OPTIONAL HOLD-OPEN

The non handed, optional hold open arm allows the door to be held open at any angles between 70 and 180 degrees. The serration type cam never allows a door to fall back. The cam and bearing type hold open mechanism ensures adequate hold open force by adjustable hold open force.

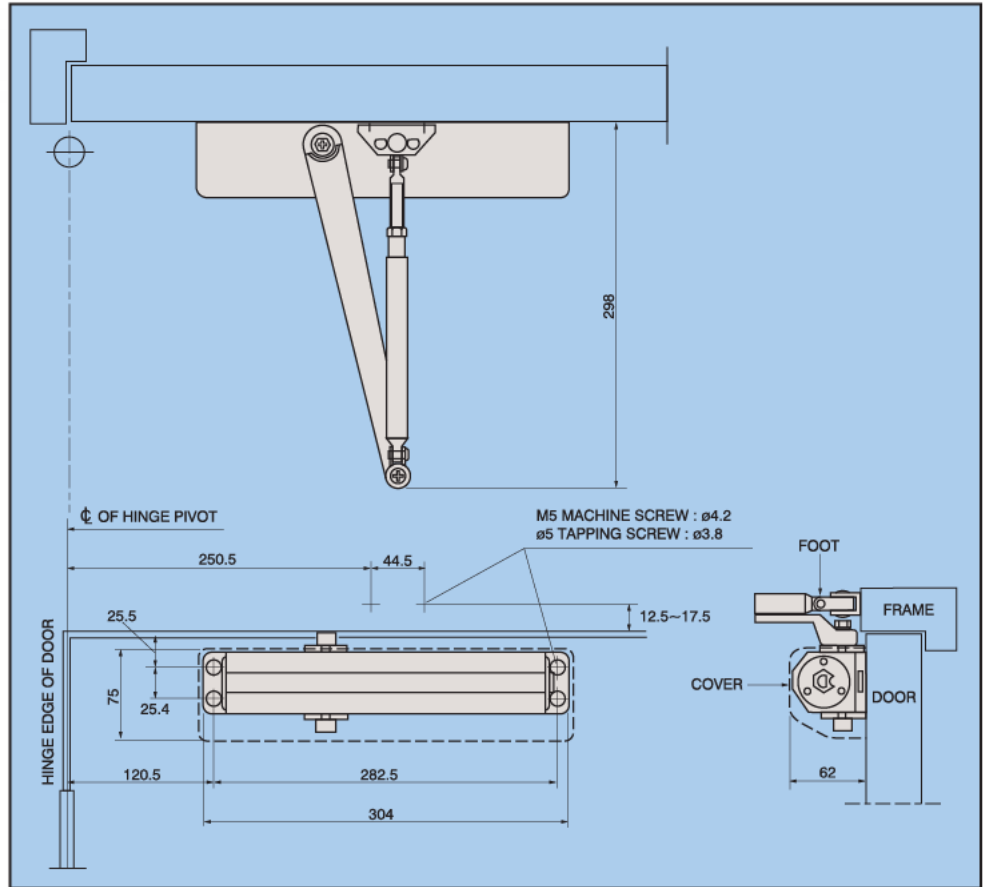
■ VARIOUS FINISHES

D-3550 Door Closers are available in SILVER, DARK-BRONZE, METALIC LEMON GOLD, BLACK, and WHITE finishes.

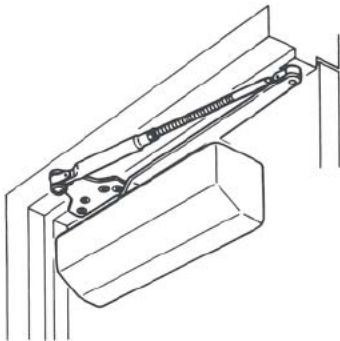
STANDARD APPLICATION



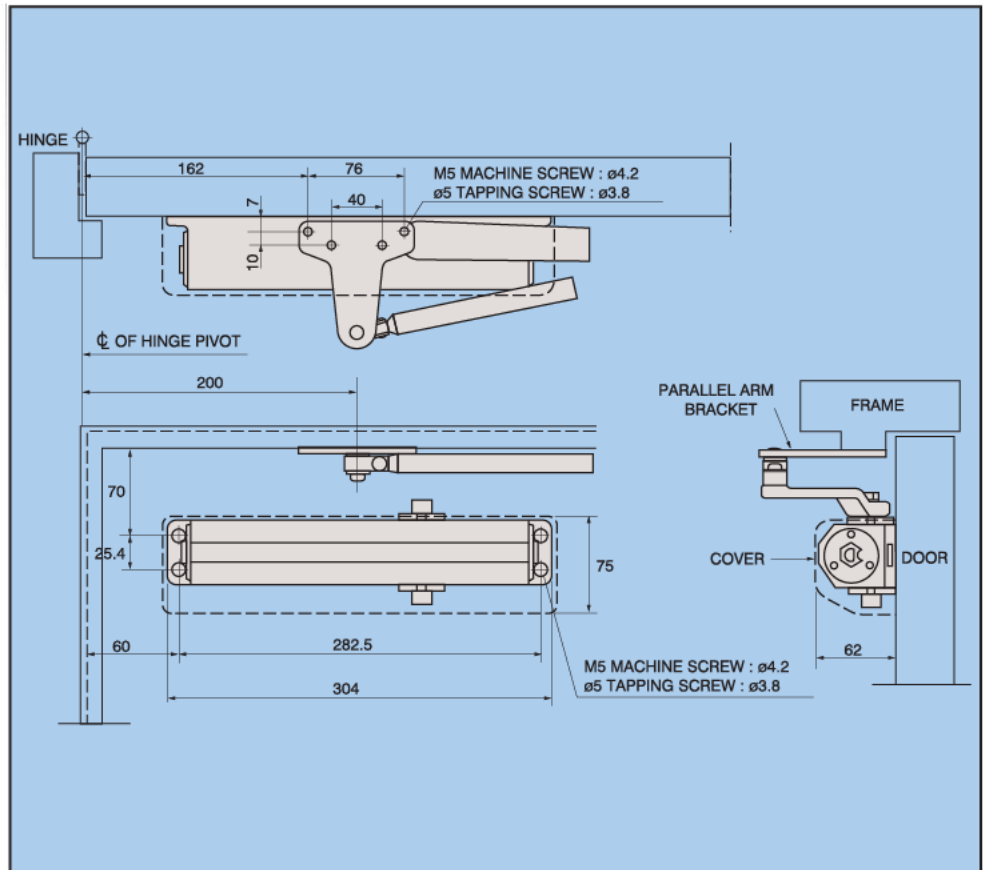
CLOSER MOUNTED ON PULL SIDE OF DOOR



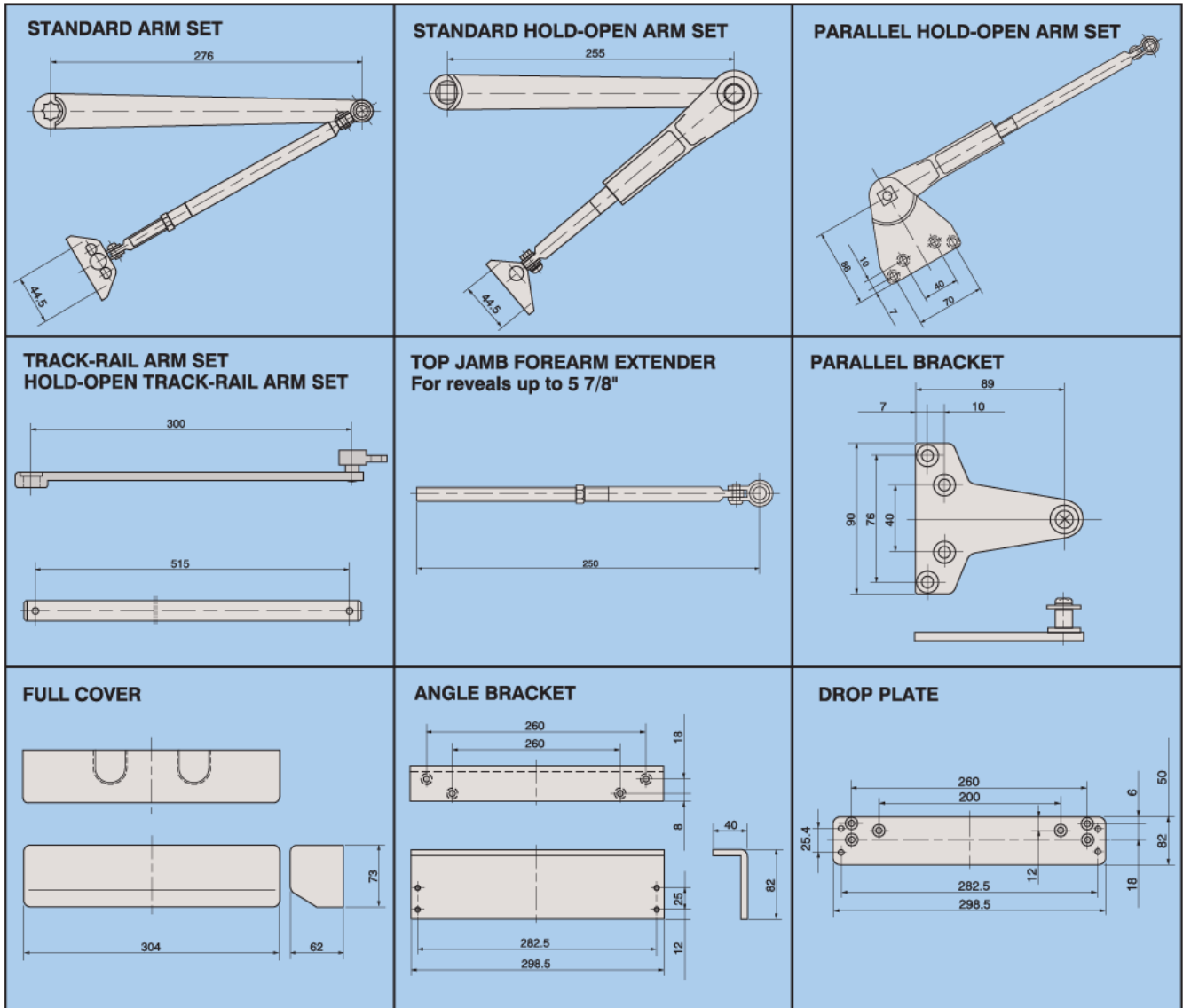
PARALLEL ARM APPLICATION



CLOSER MOUNTED ON PULL SIDE OF DOOR



OPTIONAL ACCESSORIES



RYOBI LIMITED

5-2-8 Toshima, Kita-ku Tokyo 114-8518, Japan
 Tel. 81-3-3927-5536 Fax. 81-3-3927-5527
 RYOBI is a registered trade mark of Ryobi Limited