

The world's favourite lock



YALE

SIMPLICITY RANGE

The Yale Simplicity Series means affordable hardware made easy.

Contents



Simplicity Series
Leversets

Page **2**



Simplicity Series
Door Escutcheons

Page **4**



Yale Simplicity
Accessories

Page **5**

Simplicity Series Leversets



Yale Simplicity Series - affordable hardware for multi-residential developments made easy.

The Yale Simplicity Series door furniture is finished in 304 grade stainless steel making it ideally suited to compliment modern apartment interiors. Conforming to the specific requirements of multi-residential developments, the Simplicity Series includes 2 hour fire rating and features two AS1428.1 compliant lever options in both passage and privacy configurations. The Privacy Lever Sets come complete with privacy latches. The Passage Lever Sets are sold separately from the passage latches because these Lever Sets can also be installed with a mortice lock as an Entrance Set. Standard turn knobs and oval cylinder escutcheons are available.

Application

Suitable for use in multi-residential developments.

Designed for use with Australian oval cylinder style mortice locks as Entrance Sets, and Tubular Latches.

Dimensions

Lever Rose has a 54mm diameter x 12mm.

Handing

A removable stop plate allows these symmetrically designed levers to be handed as either an operable or fixed lever on site.

Materials

All visible surfaces 304 stainless steel.

Door Thickness

32-55mm for Passage Sets

32-45mm for Privacy Sets

Fire Rated

Yale Simplicity Series Leversets have been successfully tested up to 2 hours with a fire rated Lockwood mortice lock on fire door assemblies (depending on type of doorset) in accordance with Australian Standard AS1905.1:2005, Fire Resistant Doorsets

AS1428.1

The range includes AS1428.1 compliant levers as shown.

Simplicity Series Leversets

Lever 1 - Semi Hollow Passage

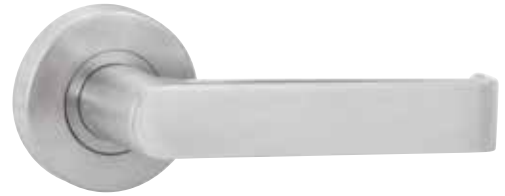
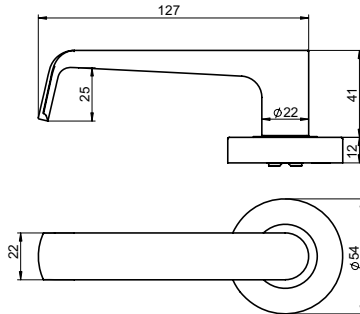
Part Number YSH1/S1NLSS

Length 127mm

Projection 53mm



Disabled Accessible
AS1428.1 Compliant



Lever 1 - Semi Hollow Privacy

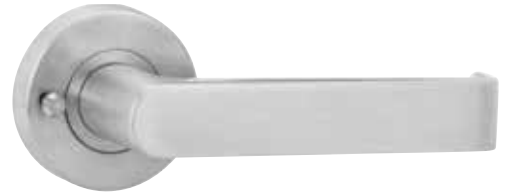
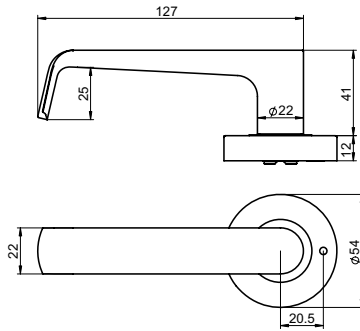
Part Number YSH2/S1SS

Length 127mm

Projection 53mm



Disabled Accessible
AS1428.1 Compliant



Lever 2 - Hollow Passage

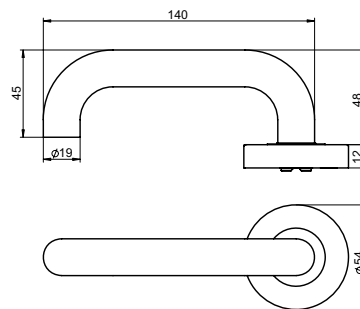
Part Number YSH1/S2NLSS

Length 140mm

Projection 60mm



Disabled Accessible
AS1428.1 Compliant



Lever 2 - Hollow Privacy

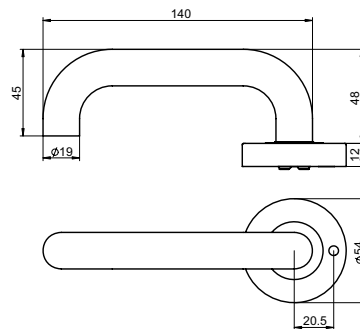
Part Number YSH2/S2SS

Length 140mm

Projection 60mm



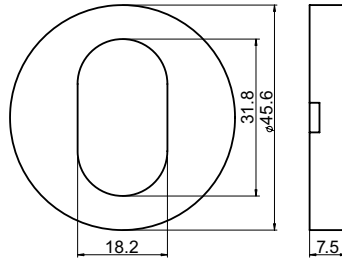
Disabled Accessible
AS1428.1



Simplicity Series Door Escutcheons

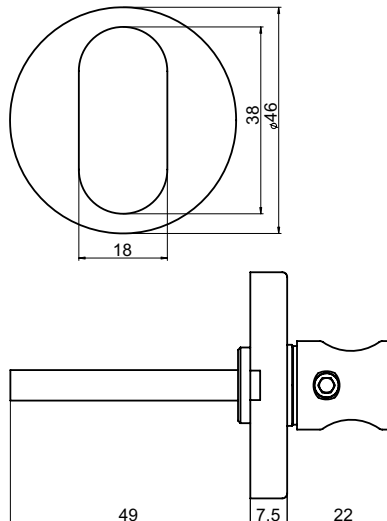
Oval Cylinder Escutcheon

Part Number	YSH6SS
Height	45.6mm
Depth	7.5mm

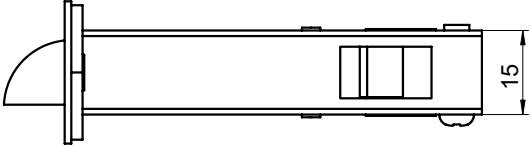
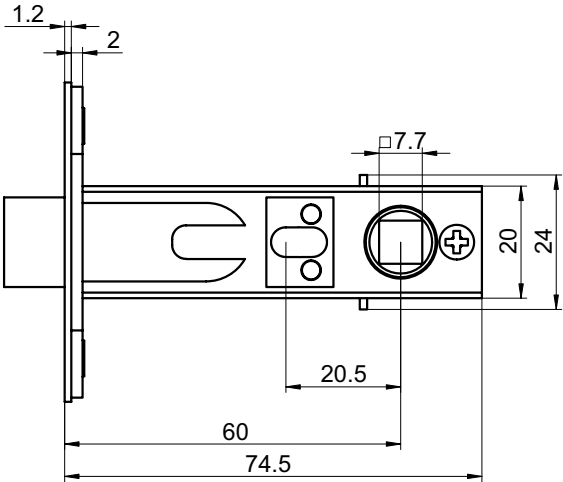


Standard Turnknob Escutcheon

Part Number	YSH7SS
Height	46mm
Depth	7.5mm



Simplicity Series Accessories



Ordering Procedure

Description	Part Number
Passage Latch	YSH1LATCH

This range is available in trade box only.



The world's favourite lock

The **Yale Brand**, with its unparalleled global reach and range of products, reassures more people in more countries than any other consumer locking solution.

The **ASSA ABLOY** group is the world's leading manufacturer and supplier of locking solutions, dedicated to satisfy user needs for security, safety and convenience.

yalelock.co.nz

ASSA ABLOY New Zealand Limited
6 Armstrong Road, Albany,
Auckland 0632, New Zealand

For customer feedback:
nzsales@assaabloy.com

Disclaimer

Whilst every effort has been made to ensure that the information (including product images and drawings) contained in this brochure is accurate at the time of publication, ASSA ABLOY New Zealand Limited ("ASSA ABLOY") recommends that you consult ASSA ABLOY or its agents prior to placing an order to ascertain current information on specific products, as ASSA ABLOY reserves the right to make changes without notice. ASSA ABLOY will not be liable for any injury, loss or damage whatsoever, arising from any errors or omissions in the information contained in the brochure or arising from the use or application of the information contained herein. © 2017 copyright by ASSA ABLOY All rights reserved

