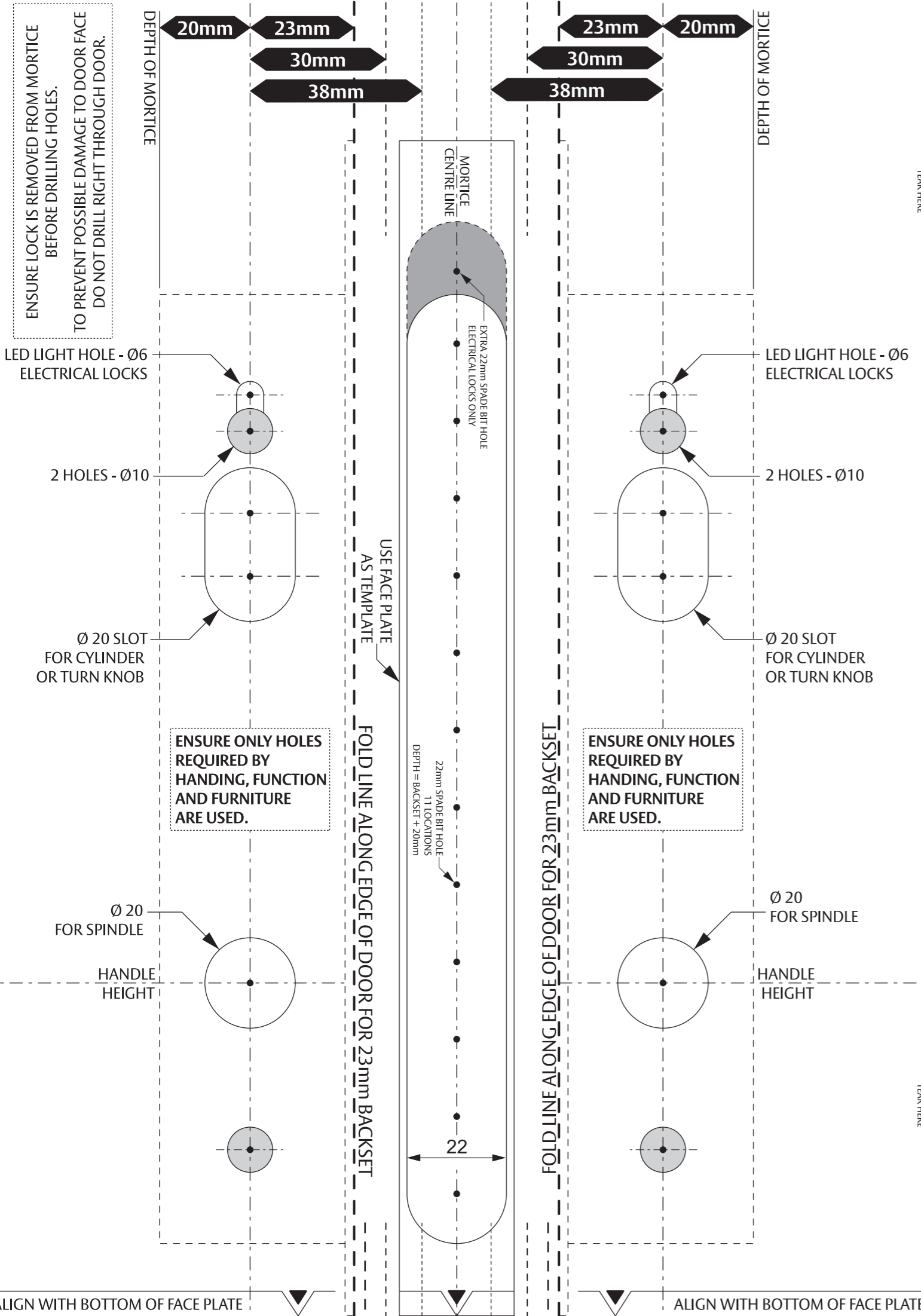


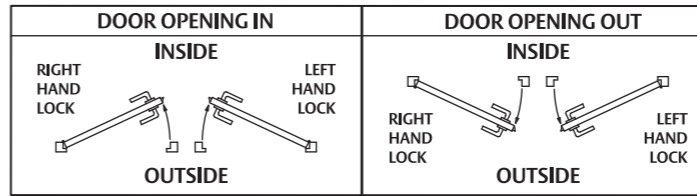
NOTE : TIMBER FIX KITS SUIT 23, 30 AND 38mm BACKSETS ONLY.



TEAR HERE

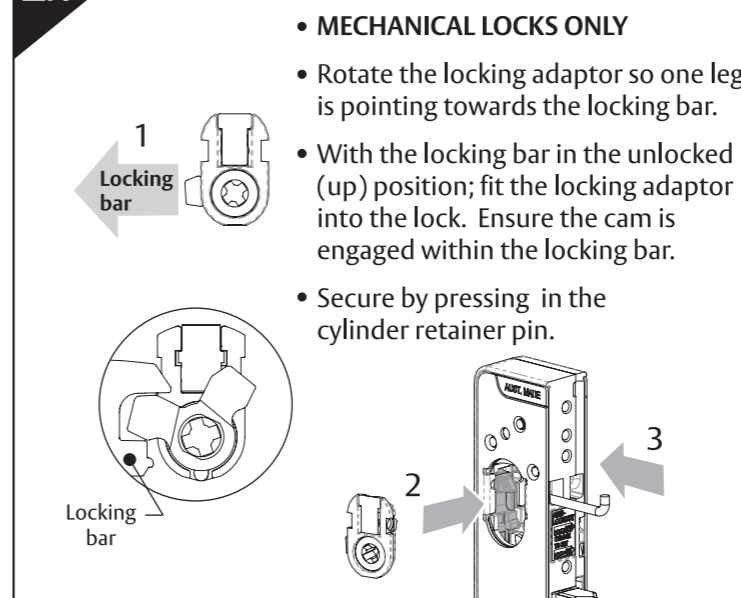
TEAR HERE

HAND OF DOOR ACCORDING TO ENGLISH PRACTICE

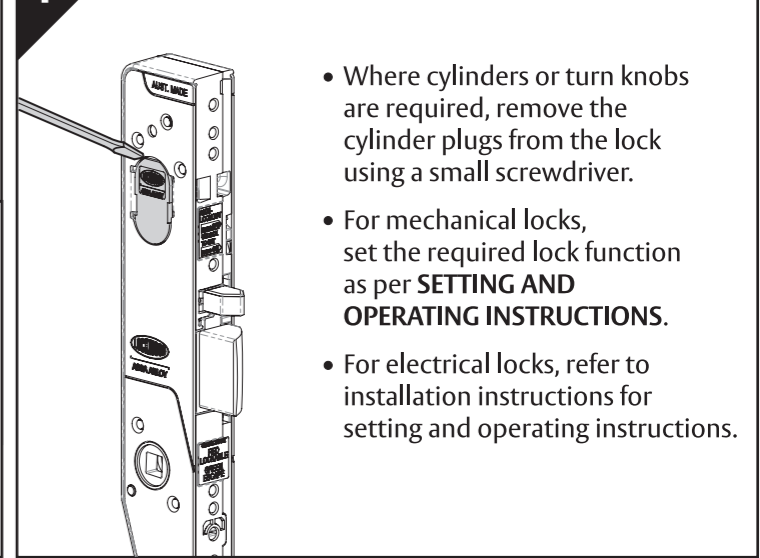


- Determine hand of lock required from chart above.
- Ensure only holes required by handing, function and furniture are cut into door.
- Disregard instructions referring to features not required.
- Mechanical locks are supplied in passage mode. The anti-lockout function is de-activated.
- Mechanical locks are always hold back capable, no setting is required. Hold back can be activated at any time - unless anti-lockout is selected.

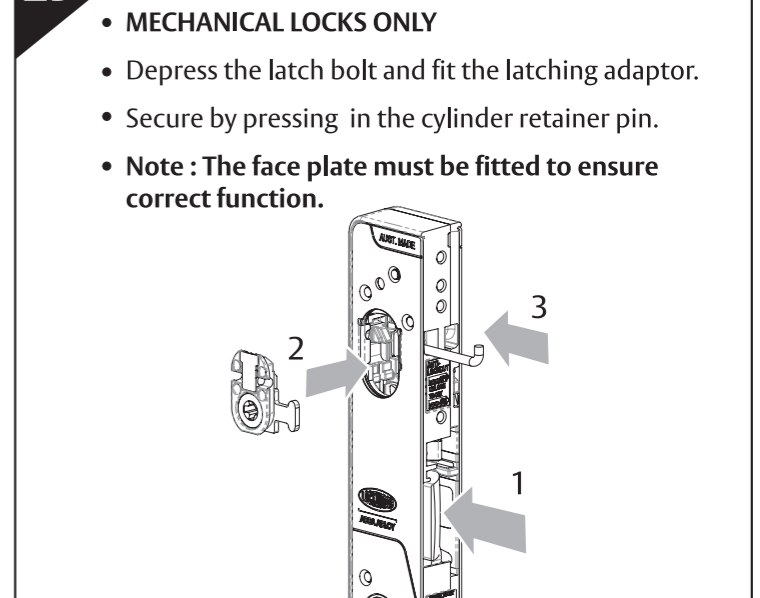
2A LOCKING ADAPTOR INSTALLATION



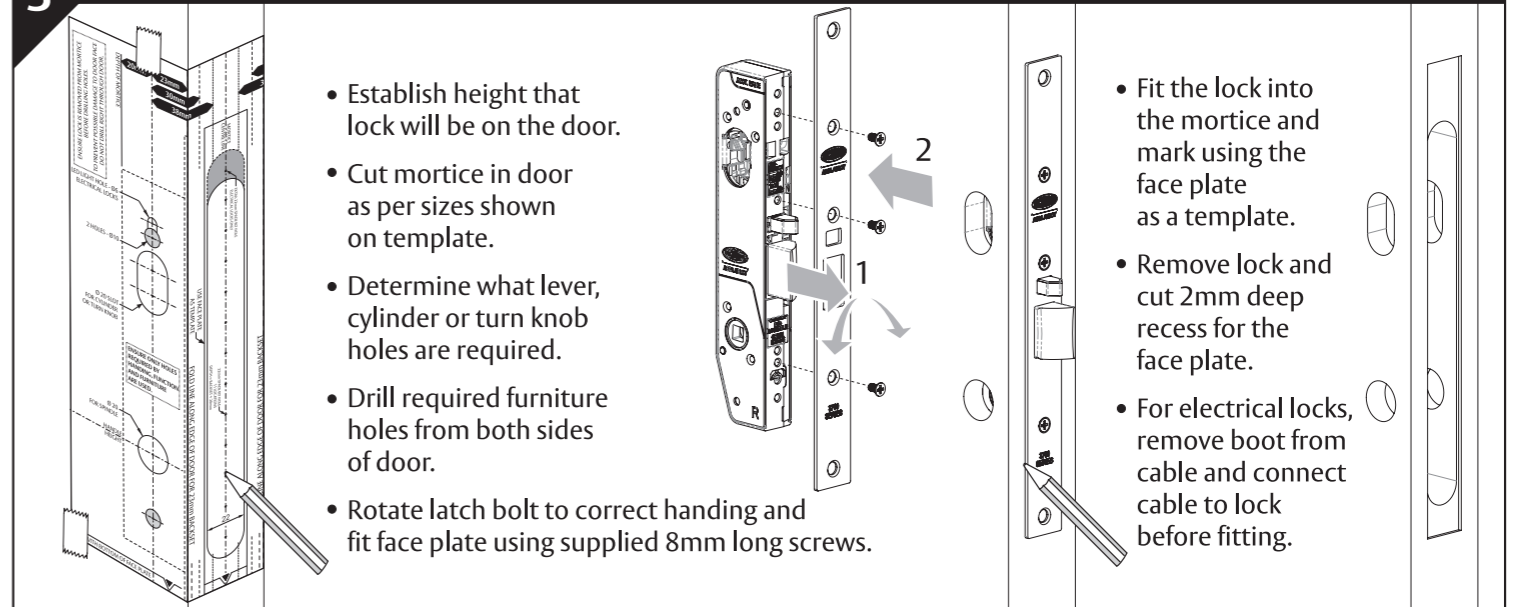
1 LOCK SETTING



2B LATCHING ADAPTOR INSTALLATION

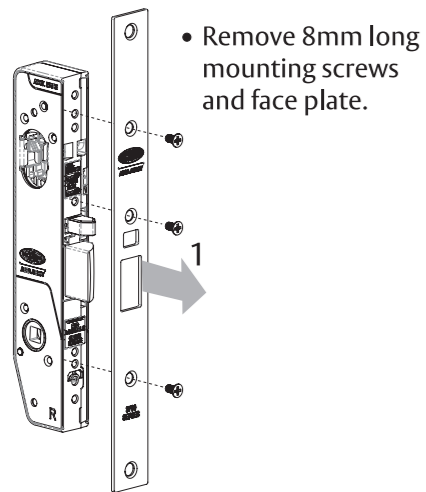


3 DOOR PREPARATION

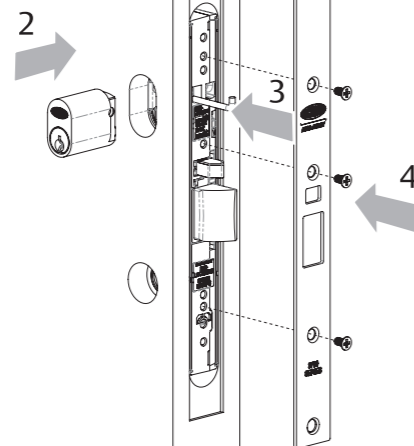


4

CYLINDER INSTALLATION



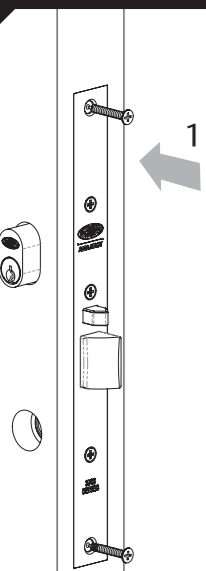
- Remove 8mm long mounting screws and face plate.



- Place lock into mortise.
- Place the cylinder into the lock.
- Secure by pressing in the cylinder retainer pin, ensuring the pin is flush with the lock case.
- For cylinder cam selection refer to **SETTING AND OPERATING INSTRUCTIONS**.
- Secure face plate using supplied 8mm long screws ensuring correct bolt handing.

5

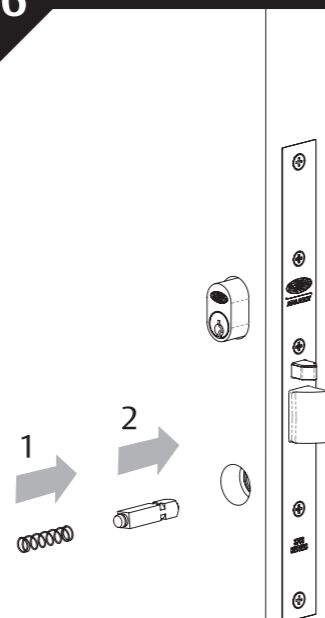
LOCK INSTALLATION



- Drill 2.5mm pilot holes and secure lock using supplied 30mm long screws.

6

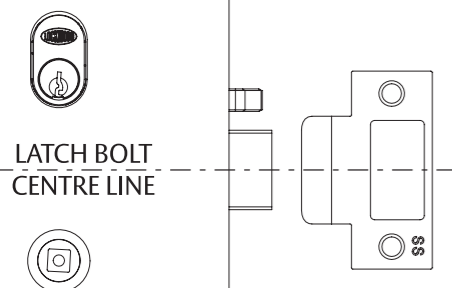
SPINDLE INSTALLATION



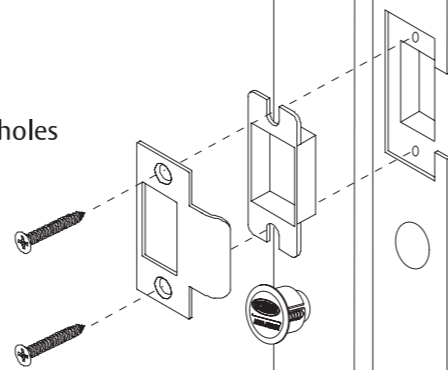
- Fit spring to spindle and then fit into lock hubs.
- Hand furniture levers and install using M4 screws supplied with furniture.
- For door thicknesses under 45mm, cut M4 screws to door thickness plus 15mm.

7

STRIKE INSTALLATION



- Mark position of strike on door frame.
- Use strike and strike box as templates and then mortice door frame for strike.
- Install strike and strike box with mounting screws supplied.
 - Timber frames - drill 2.5mm pilot holes and use 30mm long screws.
- For electrical locks, drill $\varnothing 19\text{mm}$ hole and install magnet supplied.



TEAR HERE

TEAR HERE