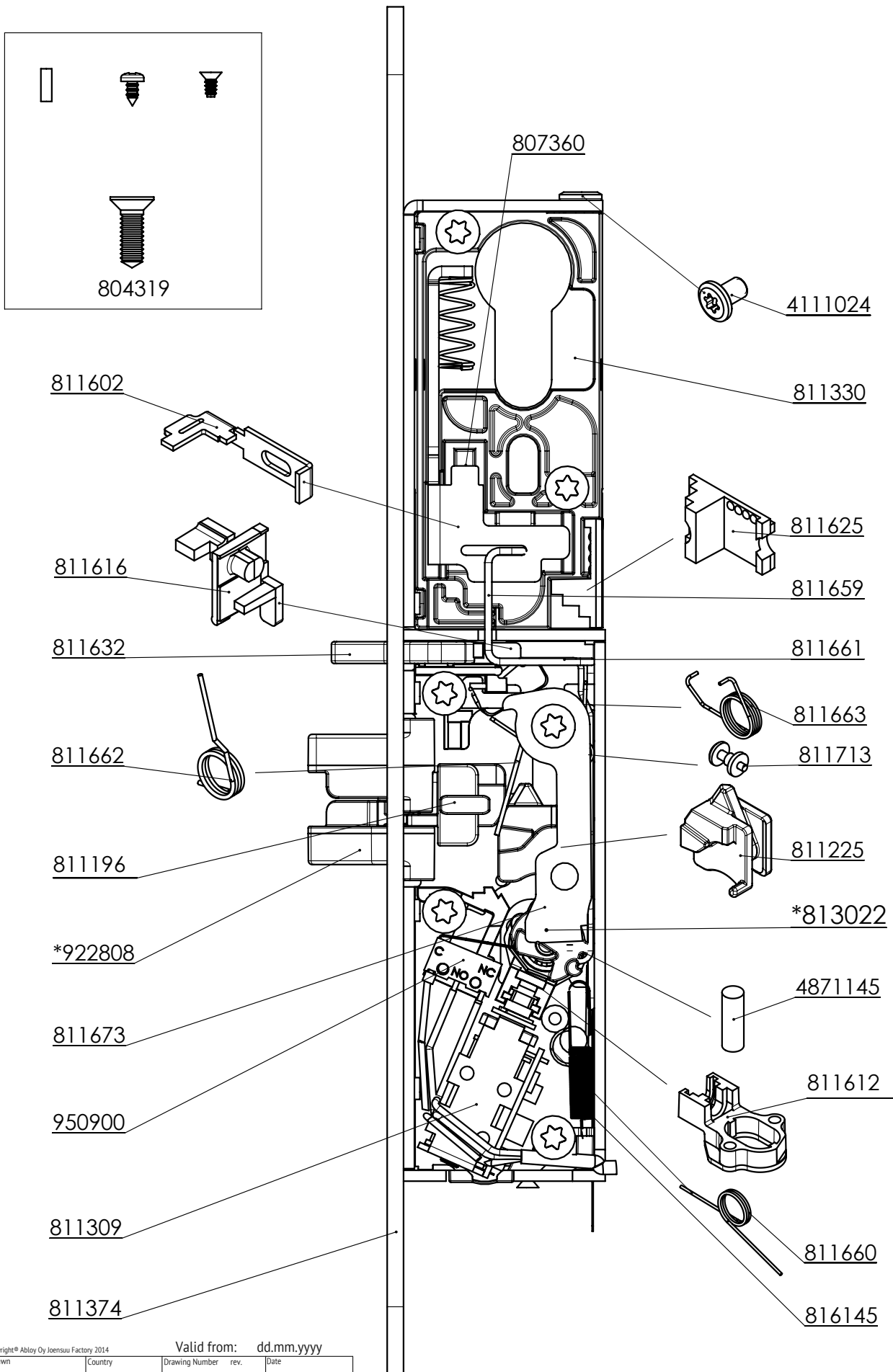


# EL404



Copyright © Abloy Oy Joensuu Factory 2014

Valid from: dd.mm.yyyy

Drawn	Country	Drawing Number	rev.	Date
MATTIT		DVO-1099	B	19.01.17