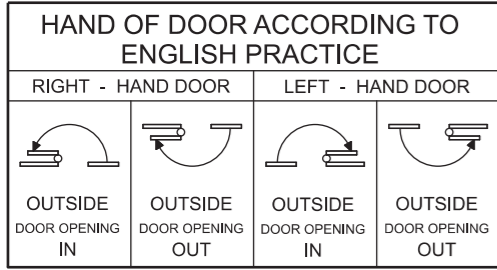




ASSA ABLOY

# MOUNTING INSTRUCTIONS 3580 SHORT BACKSET MORTICE LOCK FOR METAL DOORS

3580-121  
30621 0508

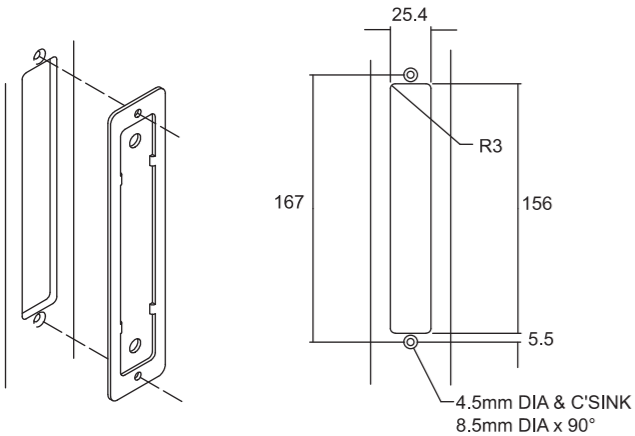


All Lockwood 3580 Series Mortice Locks are mounted in accordance with these instructions. Locks may or may not have cylinders, lever handles, turn knob or emergency button. Disregard instructions referring to the features not required.

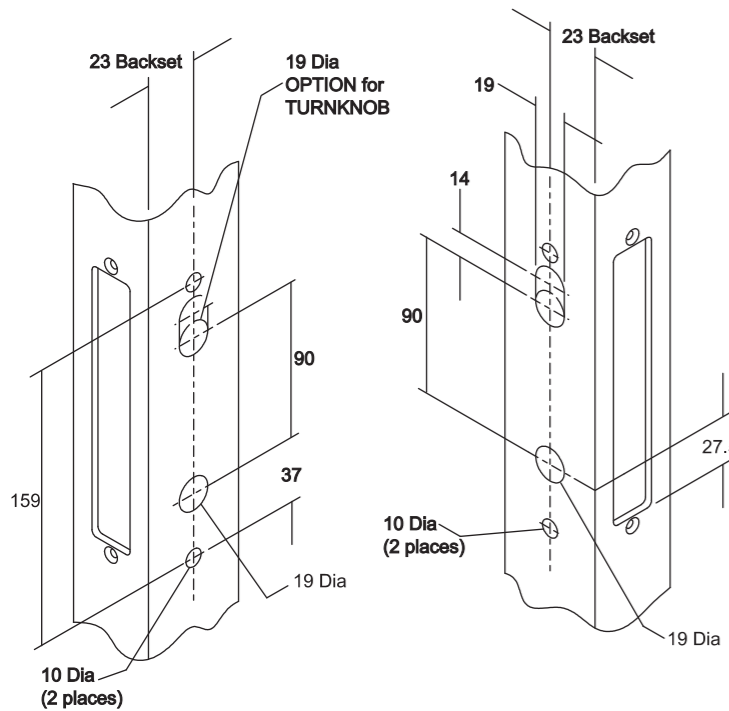
Please Note: the 3582EA Series mortice lock has an auto kick-off function. Important: Before drilling door, ensure correct hand is being installed.

### PREPARE DOOR FOR LOCK

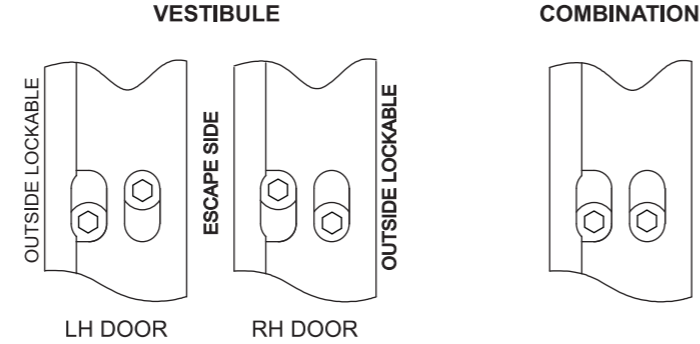
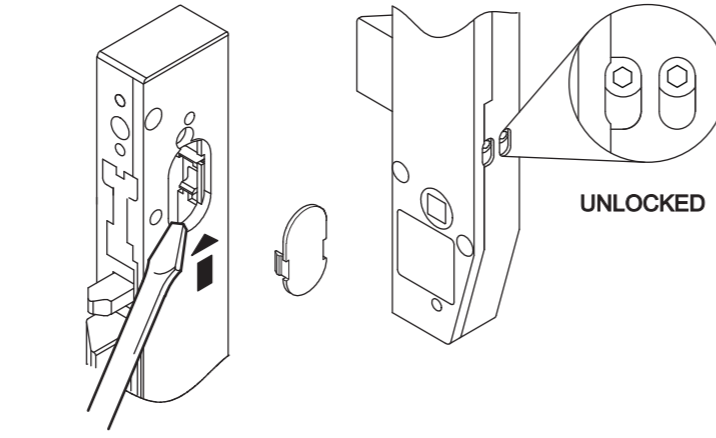
- Establish height that lockset will be on door.
- Cut COVER PLATE window 156mm x 25.4mm with 3mm radii.
- Place template in opening and drill 2 holes 4.5mm Dia and countersink 8.5mm Dia x 90°.



- ENSURE lock is removed from cavity. Drill appropriate holes to suit lockset to be fitted. Dimensions shown suit all functions of this series of locksets. Note: 23mm Backset shown (standard), others include 25.4mm, 30mm and 38mm.



- LOCK STATUS**  
Ensure Locking Snib is in the unlocked position (UP).
  - To unlock ( if required ) :  
Using a small flat screwdriver, lever out Cylinder Hole Plug where fitted and lift snib using the screwdriver.
- Vestibule Locks**  
With single action Escape feature, the **SCREW** should be in the **UP** position on the Escape side and in the **DOWN** position on the lockable side.
- Combination Locks**  
(Both handles can be locked) both **SCREWS** should be in the **DOWN** position.

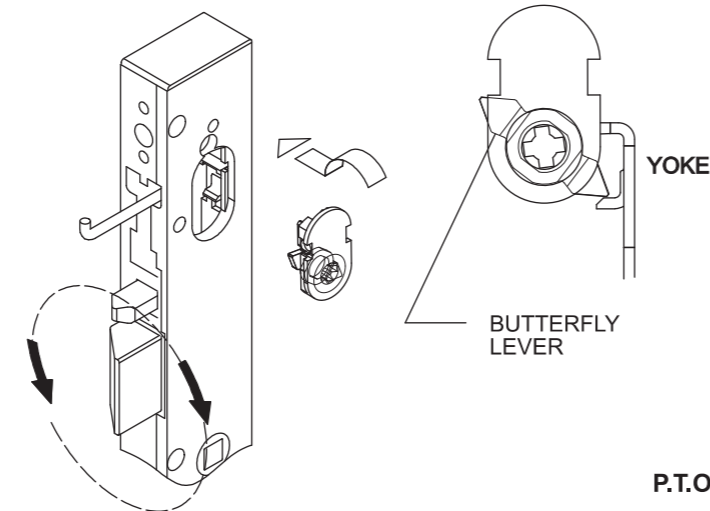


**TO CHANGE LOCK STATUS :**  
Loosen screw approximately 3 Full Turns. Slide screw to appropriate position and tighten firmly.

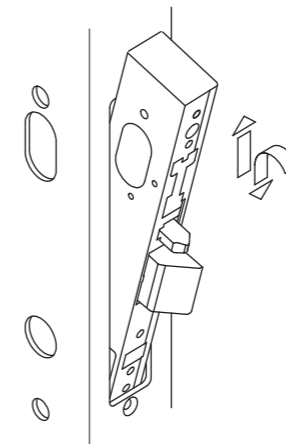
- REVERSE BOLT**  
BEFORE INSTALLING IN DOOR  
Determine hand of lock from hand of door chart.
- Rotate bolt head to suit latching direction.

- EXTENDED BACKSETS**  
Remove Extension packer by removing the 2 screws.
- Rotate bolt head to suit latching direction.
- Re-attach Extension Packer with the 2 screws.

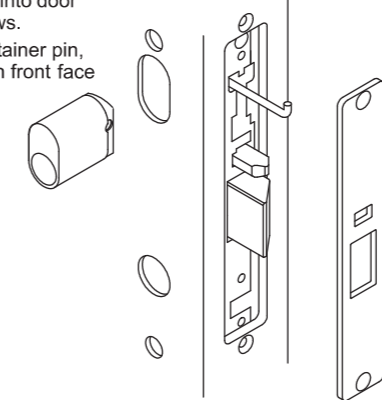
- TURN KNOB ADAPTOR**  
Establish side that adaptor is to be located, lever out Cylinder Hole Plug using a small flat screwdriver.
- Using the small screwdriver set the Locking snib into the Locked condition. Insert Adaptor into lock with TOP of Butterfly Lever pointing towards the front of lock body. ( Butterfly Lever to be engaged in yoke of snib ) as shown in diagram.
- Place Retainer pin through front plate to retain adaptor in lock. Ensure retainer pin is flush with front face of lock.



- FIT LOCK TO DOOR**  
Insert lock into door and secure with 2 screws.

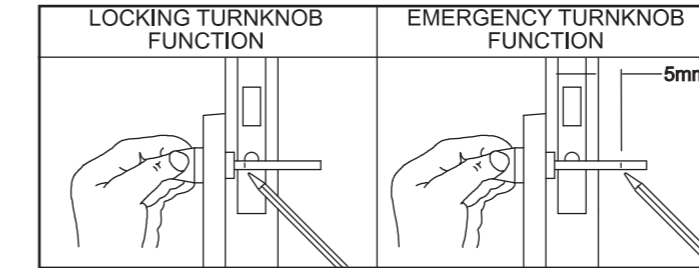


- LOCKS WITH CYLINDER**  
Using a small flat screwdriver, lever out Cylinder Hole Plug where fitted. Insert lock into door and secure with 2 screws.
- Secure cylinder with Retainer pin, ensuring pin is flush with front face of lock.
- Install cover plate and secure with 2 screws.

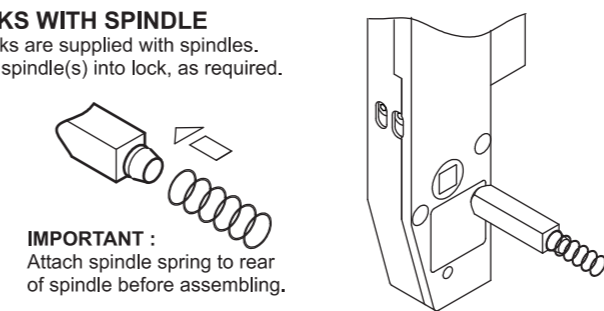


- LOCKS WITHOUT CYLINDER**  
Install cover plate and secure with 2 screws.

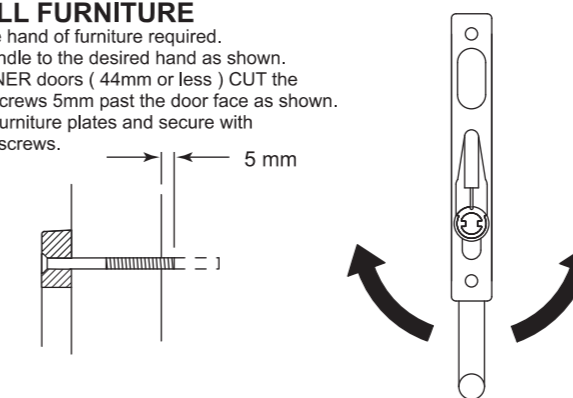
- LOCKS WITH TURNKNOB**  
Mark and cut connecting bar as shown.
- Turnknob to be in vertical position when UNLOCKED.



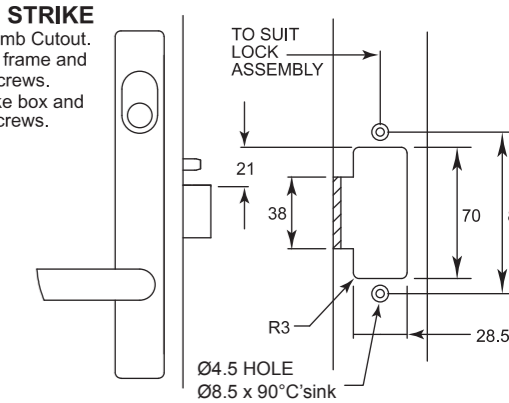
- LOCKS WITH SPINDLE**  
All locks are supplied with spindles.
- Insert spindle(s) into lock, as required.



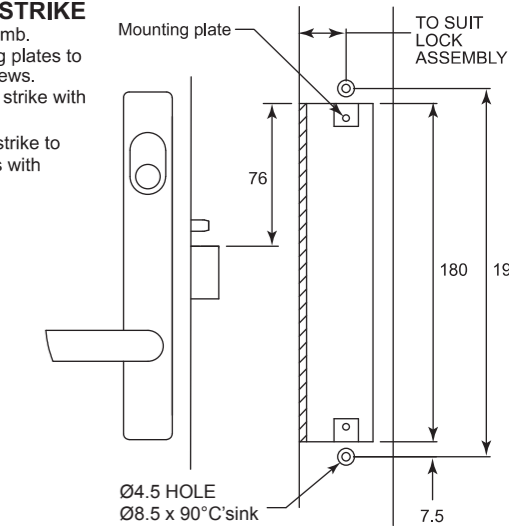
- INSTALL FURNITURE**  
Determine hand of furniture required.
- Rotate handle to the desired hand as shown.
- For THINNER doors ( 44mm or less ) CUT the furniture screws 5mm past the door face as shown.
- Position Furniture plates and secure with mounting screws.



- MOUNTING STRIKE**  
Prepare door jamb Cutout.
- Fit strike box to frame and secure with 2 screws.
- Fit strike to strike box and secure with 2 screws.

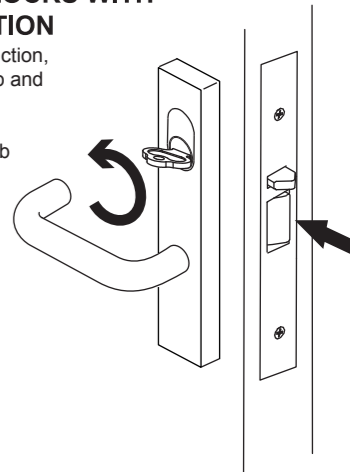


- RETROFIT STRIKE**  
Prepare door jamb.
- Attach Mounting plates to jamb with 2 screws.
- Fit strike box to strike with 2 screws.
- Fit and secure strike to Mounting plates with 2 screws.



### FOR 3588 SERIES LOCKS WITH HOLD BACK FUNCTION

- To activate HOLD BACK function, depress latchbolt with thumb and turn key or turn knob.
- To de-activate HOLD BACK function turn key or turn knob in opposite direction.



### LOCKWOOD GUARANTEE

ASSA ABLOY

ASSA ABLOY Australia Pty Limited ("ASSA ABLOY") warrants its Lockwood products against defects in workmanship and materials, subject to the limitations and exclusions set out in this Warranty. If, within the normal working life of a product, it is found to be defective, and none of the limitations and exclusions set out in this Warranty apply, ASSA ABLOY will supply the same or equivalent product free of charge. This is the only remedy granted by ASSA ABLOY under this Warranty. All electrical and electronic components used in ASSA ABLOY's Lockwood range of products (excluding batteries) are guaranteed for a period of 12 months from the date of proof of purchase, unless stated otherwise. Exclusions: This Warranty does not cover:

- Damage to or malfunction or failure of the Lockwood product caused or contributed to by: (a) improper installation or failure to follow fitting instructions; (b) improper maintenance; (c) fair wear and tear; (d) any modification or repair which has not been authorized by ASSA ABLOY; (e) use of substitute or replacement parts or cylinders other than genuine ASSA ABLOY parts or cylinders; or (f) use of batteries other than those specified by ASSA ABLOY.
  - The cost of: (a) removal and/or replacement of the Lockwood product; (b) freight and/or travelling time; (c) replacement batteries; or (d) any modification or repairs to a Lockwood product, unless authorised by ASSA ABLOY.
  - Damage to or deterioration of the plated finishes Florentine Bronze, Architectural Bronze, Polished Brass, Gold and Satin Brass, which are classified as soft finishes, and are subject to deterioration under some environmental conditions.
  - Personal injury, property damage or economic loss, however caused.
- Symmetry® 5 Year Finish Warranty: ASSA ABLOY Australia Pty Limited will replace five-year branded Symmetry product if within five years from the proven date of purchase it tarnishes, discolours or corrodes when properly installed and subject to no more than fair wear and tear.
- Symmetry® Everbrass® Warranty: Everbrass product is coated both on the exterior and interior surfaces with a lifetime anti-tarnish finish. ASSA ABLOY Australia Pty Limited will replace Everbrass branded product if it corrodes, tarnishes or discolours when properly installed and subject to no more than fair wear and tear. This Warranty is in addition to and not in substitution for any rights of the purchaser under the Trade Practices Act and state or territory legislation.

P.T.O.

ASSA ABLOY Australia Pty Limited, 235 Huntingdale Rd, Oakleigh, VIC 3166 ABN 90 086 451 907 ©2008

The Global Leader in Door Opening solutions

ASSA ABLOY