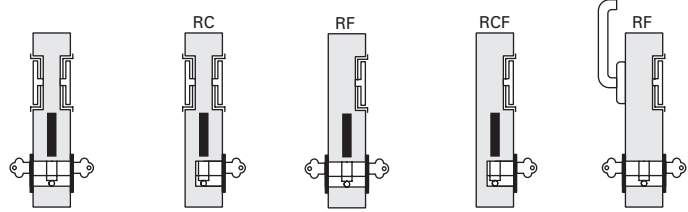


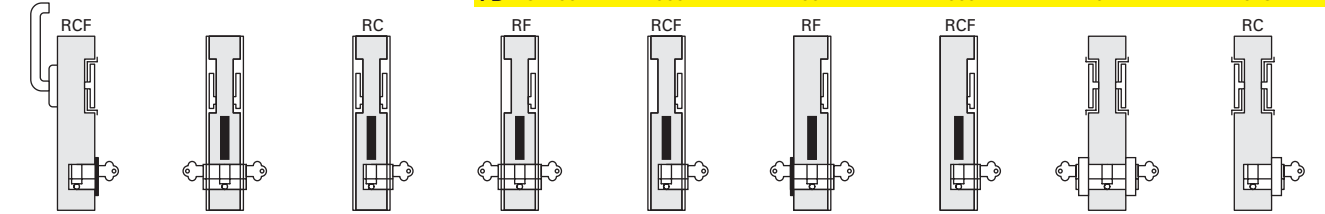
# A1000 Cylinder locking locks both handles at once

- Square drive single spindle
- Latching and locking case
- Case not handed

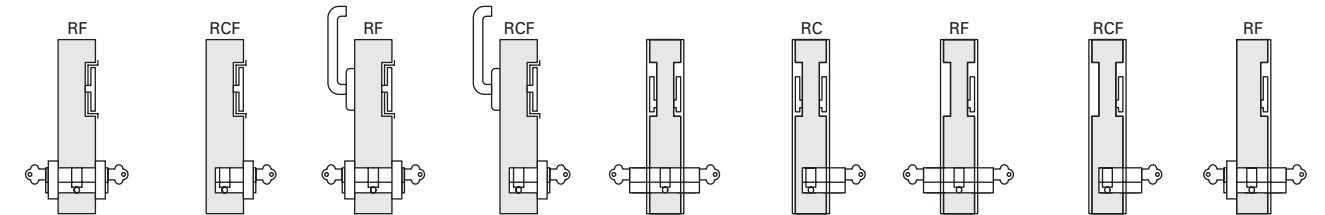
Case code (SCP) CL100 A 1000  
 Case code (PB) CL100 A 1001  
 With flush pull (SCP) CL100 A 1002  
 With flush pull (PB) CL100 A 1003



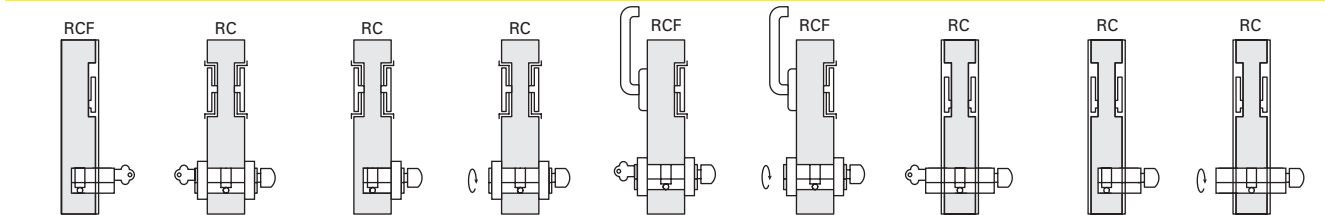
SCP CL100 A +	1004	1006	1008	1010	1012
PB CL100 A +	1005	1007	1009	1011	1013



1014	1016	1018	1020	1022	1024	1026	1028	1030
1015	1017	1019	1021	1023	1025	1027	1029	1031



1032	1034	1036	1038	1040	1042	1044	1046	1048
1033	1035	1037	1039	1041	1043	1045	1047	1049

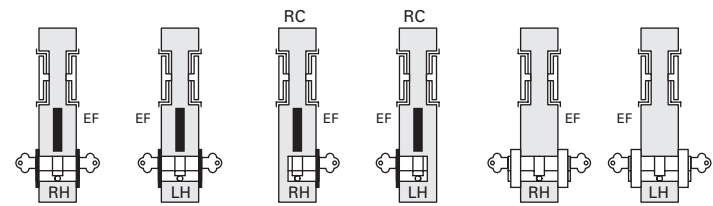


1050	1052	1054	1056	1058	1060	1062	1064	1066
1051	1053	1055	1057	1059	1061	1063	1065	1067

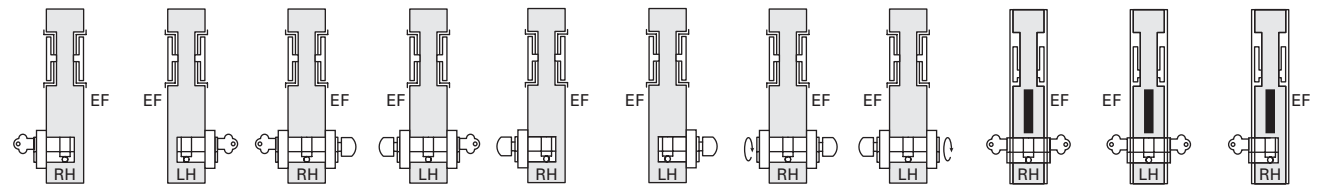
# A2000 Cylinder locking locks only one handle (EF)

- Latching and locking case
- Square/square drive split spindle
- Case handed

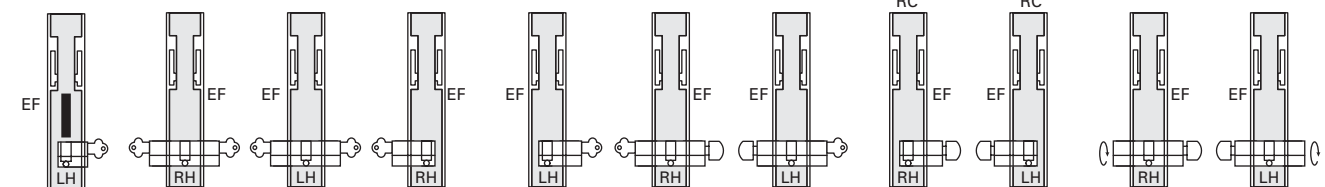
Case code (SCP) LH CL100 A 2000 RH CL100 A 2001  
 Case code (PB) LH CL100 A 2002 RH CL100 A 2003  
 With flush pull (SCP) LH CL100 A 2004 RH CL100 A 2005  
 With flush pull (PB) LH CL100 A 2006 RH CL100 A 2007



SCP CL100 A +	2008	2010	2012	2014	2016	2018
PB CL100 A +	2009	2011	2013	2015	2017	2019



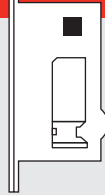
2020	2022	2024	2026	2028	2030	2032	2034	2036	2038	2040
2021	2023	2025	2027	2029	2031	2033	2035	2037	2039	2041



2042	2044	2046	2048	2050	2052	2054	2056	2058	2060	2062
2043	2045	2047	2049	2051	2053	2055	2057	2059	2061	2063

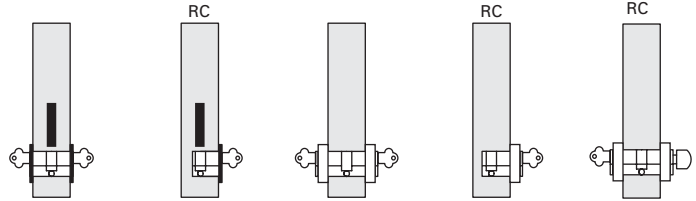
RCF = Reversible cylinder and furniture    RF = Reversible furniture    RC = Reversible cylinder    EF = Exit free    RH = Right hand    LH = Left hand

## A3000 Cylinder and/or spindle operated locking

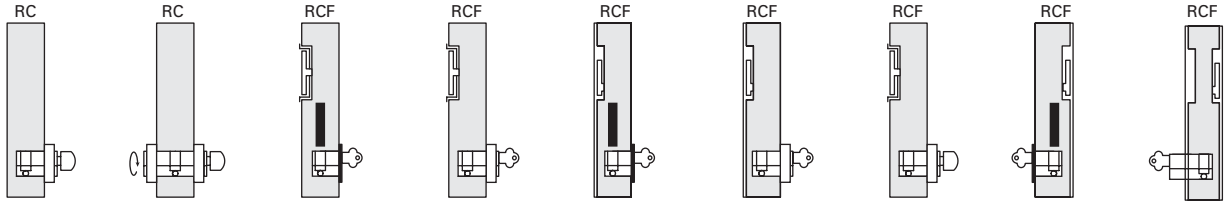


- Square drive single spindle
- Case not handed
- Always locked when key removed

Case code (SCP) CL100 A 3000  
 Case code (PB) CL100 A 3001  
 With flush pull (SCP) CL100 A 3002  
 With flush pull (PB) CL100 A 3003

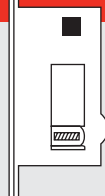


<b>SCP</b>	CL100 A +	3004	3006	3008	3010	3012
<b>PB</b>	CL100 A +	3005	3007	3009	3011	3013



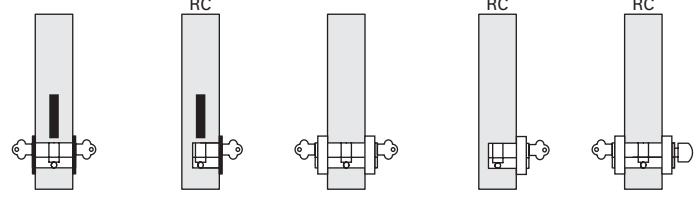
3014	3016	3018	3020	3022	3024	3026	3028	3030
3015	3017	3019	3021	3023	3025	3027	3029	3031

## A4000 Cylinder and spindle operated unlatching

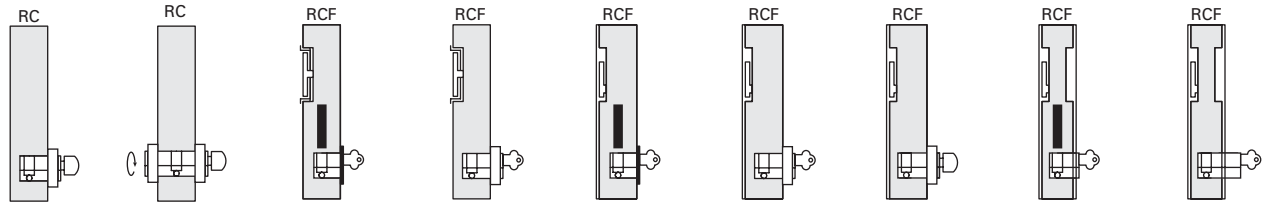


- Square drive single spindle with latch hold up function
- Case not handed

Case code (SCP) CL100 A 4000  
 Case code (PB) CL100 A 4001  
 With flush pull (SCP) CL100 A 4002  
 With flush pull (PB) CL100 A 4003

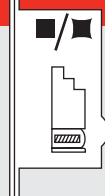


<b>SCP</b>	CL100 A +	4004	4006	4008	4010	4012
<b>PB</b>	CL100 A +	4005	4007	4009	4011	4013



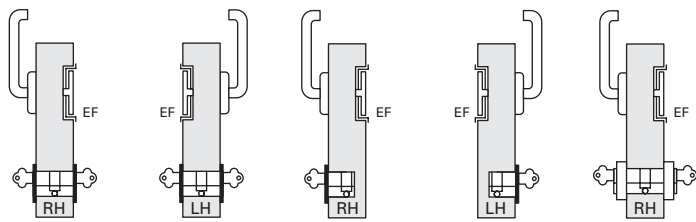
4014	4016	4018	4020	4022	4024	4026	4028	4030
4015	4017	4019	4021	4023	4025	4027	4029	4031

## A5000 Cylinder locking locks only one handle (EF)

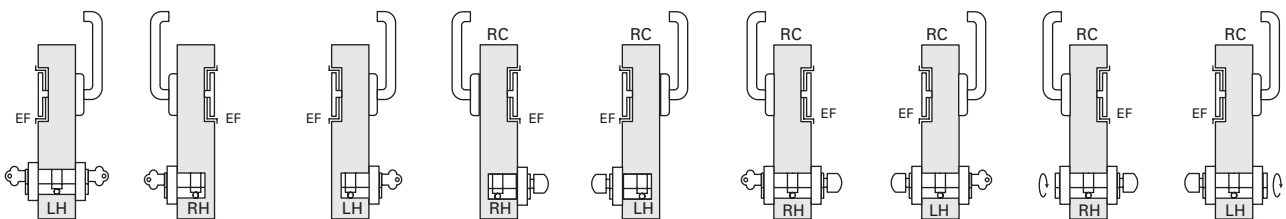


- Square/Star drive split spindle
- Latching and locking case
- Case handed

Case code (SCP) LH CL100 A 5000      RH CL100 A 5001  
 Case code (PB) LH CL100 A 5002      RH CL100 A 5003



<b>SCP</b>	CL100 A +	5004	5006	5008	5010	5012
<b>PB</b>	CL100 A +	5005	5007	5009	5011	5013



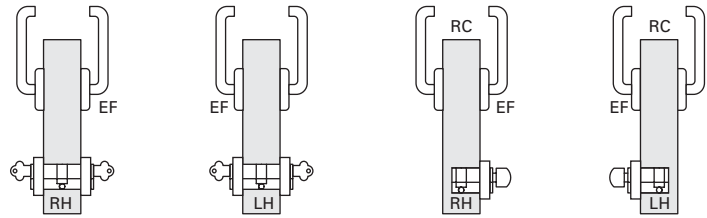
5014	5016	5018	5020	5022	5024	5026	5028	5030
5015	5017	5019	5021	5023	5025	5027	5029	5031

## A6000 Cylinder locking locks only one handle (EF)

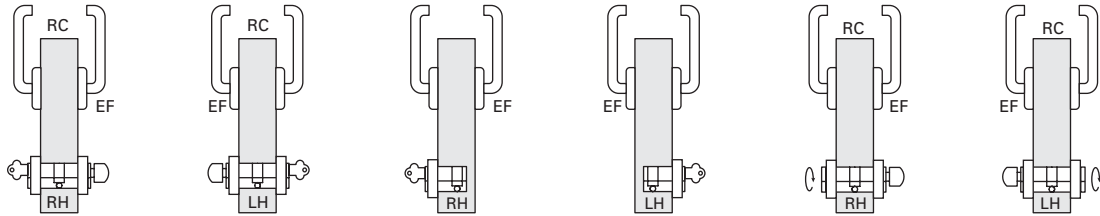


- Star/Star drive split spindle
- Latching and locking case
- Case handed

Case code (SCP) LH CL100 A 6000 RH CL100 A 6001  
Case code (PB) LH CL100 A 6002 RH CL100 A 6003



SCP	CL100 A +	6004	6006	6008	6010
PB	CL100 A +	6005	6007	6009	6011



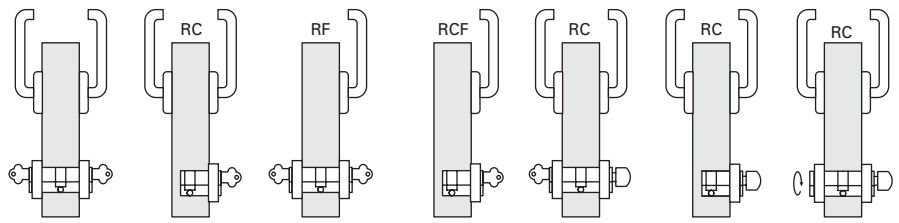
6012	6014	6016	6018	6020	6022
6013	6015	6017	6019	6021	6023

## A7000 Cylinder locking locks both handles at once



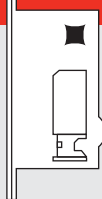
- Star drive single spindle
- Latching and locking case
- Case not handed

Case code (SCP) CL100 A 7000  
Case code (PB) CL100 A 7001



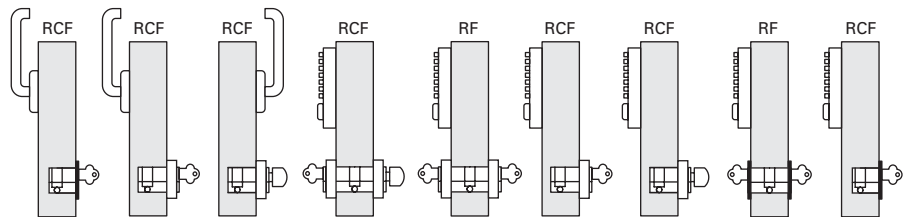
SCP	CL100 A + 7002	7004	7006	7008	7010	7012	7014
PB	CL100 A + 7003	7005	7007	7009	7011	7013	7015

## A8000 Cylinder and/or spindle operated unlatching



- Star drive single spindle
- Case not handed

Case code (SCP) CL100 A 8000  
Case code (PB) CL100 A 8001



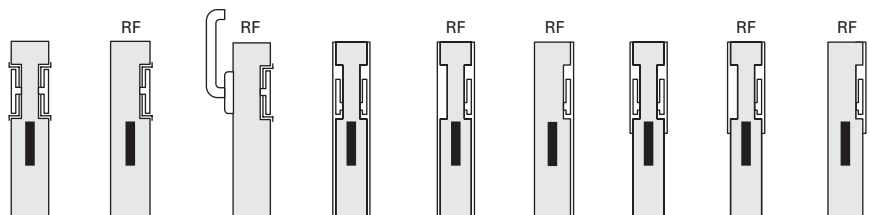
SCP	CL100 A + 8002	8004	8006	8008	8010	8012	8014	8016	8018
PB	CL100 A + 8003	8005	8007						

## A9000 Latching only case



- Square drive single spindle
- Latching only case
- Case not handed

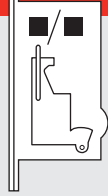
Case code (SCP) CL100 A 9000  
Case code (PB) CL100 A 9001  
With flush pull (SCP) CL100 A 9002  
With flush pull (PB) CL100 A 9003



SCP	CL100 A + 9004	9006	9008	9010	9012	9014	9016	9018	9020
PB	CL100 A + 9005	9007	9009	9011	9013	9015	9017	9019	9021

RCF = Reversible cylinder and furniture RF = Reversible furniture RC = Reversible cylinder EF = Exit free RH = Right hand LH = Left hand

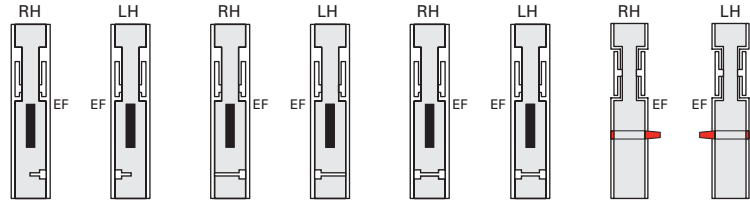
## B1000 Exit Free with single action unlocking



- Square/Square drive split spindle
- Emergency release
- Latching and non cylinder locking case
- Case handed

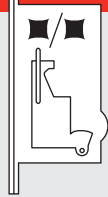
Vacant/ In Use Indication

Case code (SCP) LH= CL100 B 1000 RH= CL100 B 1001  
 Case code (PB) LH= CL100 B 1002 RH= CL100 B 1003  
 With flush pull (SCP) LH= CL100 B 1004 RH= CL100 B 1005  
 With flush pull (PB) LH= CL100 B 1006 RH= CL100 B 1007



SCP	CL100 B +	1008	1010	1012	1014	1016	1018	1020	1022
PB	CL100 B +	1009	1011	1013	1015	1017	1019	1021	1023

## B3000 Latching and privacy locking CL100 LaviLock™

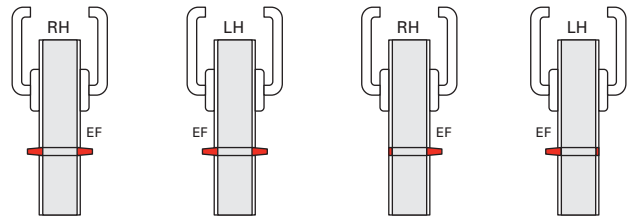


- Star/Star drive split spindle
- Single action unlocking
- Exit Free
- Emergency release
- Vacant/In Use indication
- Case handed

Door can be unlocked from both sides, e.g. hospital wards

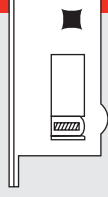
Standard LaviLock

Case code (SCP) LH= CL100 B 3000 RH= CL100 B 3001  
 Case code (PB) LH= CL100 B 3002 RH= CL100 B 3003



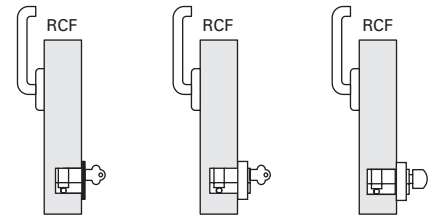
SCP	CL100 B +	3004	3006	3008	3010
PB	CL100 B +	3005	3007	3009	3011

## B4000 Cylinder and/or spindle operated unlatching



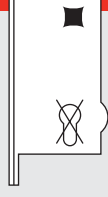
- Star drive single spindle with latch hold up function
- Case not handed

Case code (SCP) CL100 B 4000  
 Case code (PB) CL100 B 4001



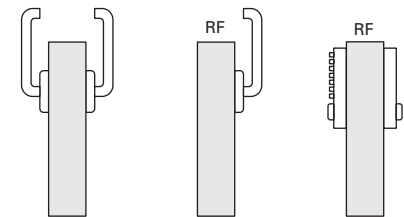
SCP	CL100 B +	4002	4004	4006
PB	CL100 B +	4003	4005	4007

## B5000 Latching only case - Case not handed



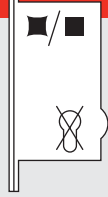
- Star drive single spindle
- Latching only case
- Case not handed

Case code (SCP) CL100 B 5000  
 Case code (PB) CL100 B 5001



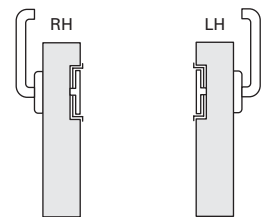
SCP	CL100 B +	5002	5004	5006
PB	CL100 B +	5003	5005	

## B6000 Latching only case - Case handed



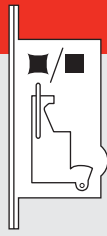
- Star/Square drive split spindle
- Latching only case
- Case handed







Case code (SCP) LH= CL100 B 6000 RH= CL100 B 6001  
 Case code (PB) LH= CL100 B 6002 RH= CL100 B 6003

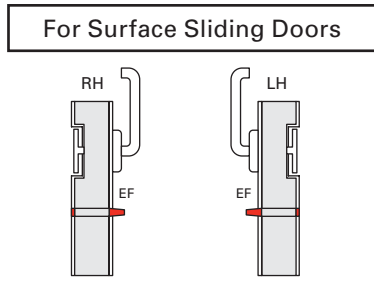


SCP	CL100 B +	6004	6006
PB	CL100 B +	6005	6007

# B7000 Latching and privacy locking CL100 LaviLock™



-  Star/Square drive split spindle
-  Single action unlocking
-  Vacant/In Use indication
-  Exit Free
-  Emergency Release
-  Case handed



Case code (SCP) LH= CL100 B 7000 RH= CL100 B 7001  
 Case code (PB) LH= CL100 B 7002 RH= CL100 B 7003

SCP	CL100 B +	7004	7006
PB	CL100 B +	7005	7007

## EuroCylinder

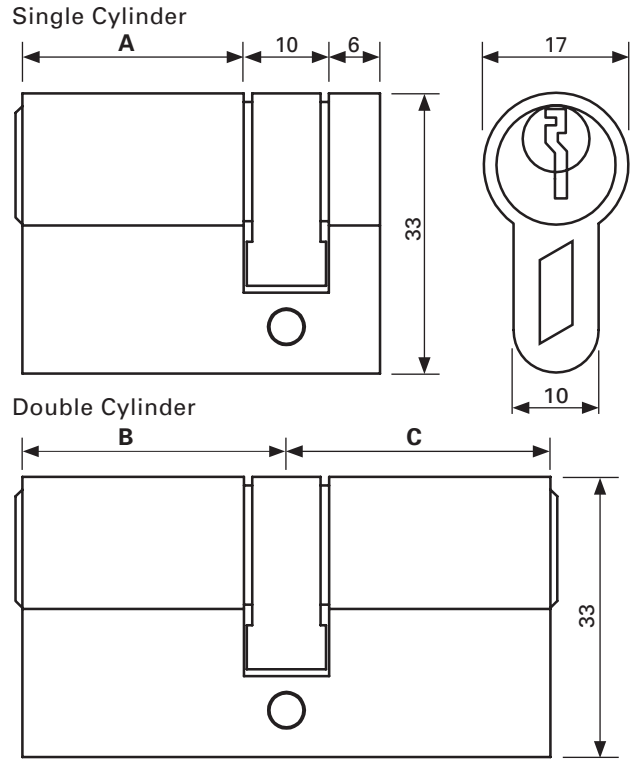
The CaviLock CL100 will accept 'Standard' and 'Security' Europrofile type cylinders. The combinations in stock cover 3, 5 and 6 pin options with **Key/Key**, **Key/Turn** and **Turn/Emergency** as well as single cylinder options with **Key Only** or **Turn Only**. The 3 pin cylinders are ideal for flush handle situations because of their 42mm finished width.

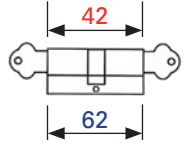
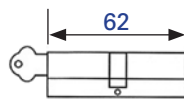
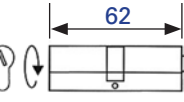
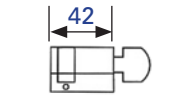
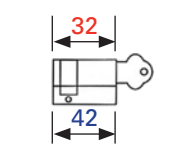

All cylinders are constructed from extruded brass with stainless steel springs and in the 5 and 6 pin options, come as standard with grub screws at the base of the cylinder enabling easy re-pinning.

Available in true Satin Chrome finish, Brass and Oil Rubbed Bronze (3 pin only).

**Note:** The 3 and 5 pin cylinders are standard to the CL100 configurations in keyed to differ (KD). If 6 pin cylinders or keyed alike cylinders (KA) are required, please specify at time of ordering.

## Dimensions

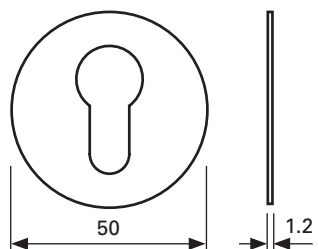


<b>Double Cylinder</b>		
3 Pin Brass KD	CL100 F 4004	
3 Pin SCP KD	CL100 F 4016	
5 Pin Brass KD	CL100 F 2005	
5 Pin SCP KD	CL100 F 2060	
<b>Cylinder/Turn</b>		
5 Pin Brass KD	CL100 F 2007	
5 Pin SCP KD	CL100 F 2062	
<b>Emergency/Turn</b>		
5 Pin Brass	CL100 F 2009	
5 Pin SCP	CL100 F 2064	
<b>Single Turn 5 Pin Body</b>		
Brass	CL100 F 2008	
SCP	CL100 F 2063	
<b>Single Cylinder</b>		
3 Pin Brass KD	CL100 F 4005	
3 Pin SCP KD	CL100 F 4017	
5 Pin Brass KD	CL100 F 2006	
5 Pin SCP KD	CL100 F 2061	

Cylinder Dimensions			
Single	(A + 16)	Double	(B + C)
3 pin	16 + 16 = 32	3 pin	21 + 21 = 42
5 pin	26 + 16 = 42	5 pin	31 + 31 = 62
6 pin	35 + 16 = 51	6 pin	35 + 35 = 70

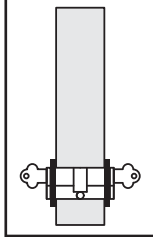
## Escutcheons

**Flat**

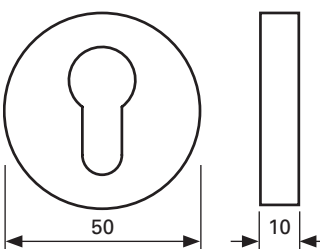


50  
1.2

Finish code SCP CL100 E 1000  
PB CL100 E 1001

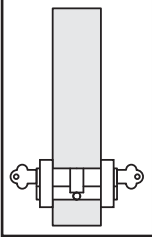
 Symbol used in lock configuration options

**Raised**



50  
10

Finish code SCP CL100 E 1002  
PB CL100 E 1003

 Symbol used in lock configuration options

## Glossary of Terms

### Cylinder Locking

The CL100 accepts standard and security euro profile type cylinders in 3, 5 and 6 pin configurations.

### Emergency Release

In case of emergency, door can be unlocked with the edge of a coin or similar.

### Escutcheon

A shield fixed to a surface of a door, primarily to protect the door from wear or damage before continued insertion of the key.

### Exit Free (EF)

Even when in the locked position, the handle on the *inside* remains unlocked.

### Flush Pull

Front edge pull to retrieve doors which slide completely inside a cavity wall.

### Flush Turn

Furniture for use on doors which slide completely inside a cavity wall.

### Latching

Door is held closed, but not locked.

### Locking

Closed door is made secure with a key.

### Spindle

The main rotating part of the lock case. The CL100 accepts square spindles, either single or split of size 7.62mm (0.3"). The latch's drive socket can be either Square, Star, or a split combination of both.

### Striker (striking plate)

Plate fixed to the door jamb which the bolt or bolts of a lock or latch engages into.

### Turn

Allows a door to be locked with a key from one side and a simple turn from the other. Key and turn cylinders are useful when controlled access is required from one side and easy access from the other.



© All copyright and other property in this document is reserved by Cavity Sliders Limited. Details and specifications are subject to change without notice. Whilst all care is taken to ensure the accuracy of all information, no responsibility will be accepted for any errors or omissions.

® CS FOR DOORS and CAVILOCK are Registered Trademarks.

CAVILOCK® CL100 (O.D. 1994). 60114 - 04.2019

## Contact Us

 FOR DOORS NEW ZEALAND



### Auckland Head Office

5 - 7 Rakino Way, Mt Wellington, Auckland

☎ +64 9 276 0800

☎ +64 9 276 2525

✉ info@csfordoors.co.nz

### BOP/Waikato

40 Newton Street, Mt Maunganui

☎ +64 7 928 0800

☎ +64 7 928 2525

✉ salesbop@csfordoors.co.nz

### Wellington

33/16 Jamaica Drive, Grenada North, Wellington

☎ +64 4 473 9994

☎ +64 4 473 9995

✉ saleswgt@csfordoors.co.nz

### Christchurch

6 Marylands Place, Middleton, Christchurch

☎ +64 3 348 6158

☎ +64 3 348 6150

✉ saleschch@csfordoors.co.nz

[www.csfordoors.co.nz](http://www.csfordoors.co.nz)

 CavitySliders AUSTRALIA  
Innovative Door Solutions



### NSW Head Office

Unit 1, 7-11 Rodborough Rd, Allambie Heights, NSW 2100

☎ +61 2 9905 0588

☎ +61 2 9905 7088

✉ info@cavitysliders.com.au

### Nationwide

☎ 1300 975 433

[www.cavitysliders.com.au](http://www.cavitysliders.com.au)

 CavitySliders™ USA Inc.



### CA Head Office

548 Finney Ct, Gardena, 90248 CA

☎ (888) 466 0030

☎ (310) 769 5824

✉ info@cavitysliders.com

[www.cavitysliders.com](http://www.cavitysliders.com)