A detailed, high-angle photograph of the ES 200 automatic sliding door operator. The device is a complex assembly of metal components, including a motor, gears, and a drive pulley. It is mounted on a track system. The image is presented in a semi-transparent, cutaway style, showing the internal mechanical parts. A black vertical bar is on the left side of the image, and a white rectangular area is overlaid on the right side, containing the text "ES 200" and a horizontal line.

ES 200

Automatic Sliding Door Operator

FLEXIBLE, SIMPLE AND MODULAR WITH DRIVE POWER TO SPARE

The new, innovative DORMA ES 200 sliding door operator system offers the perfect solution for all applications and service requirements. The ES 200, equipped with the DORMA **PowerDrive** technology, fulfils every demand imposed on operators in terms of adaptability to different door widths, door weight capacity and functionality.

The modular system

The modular design of the ES 200 provides an ideal basis for the implementation of new ideas and individual concepts in the design and construction of sliding door systems.

DORMA has created a new innovative design in door control. Now there is no longer any need to replace components when you want to expand the functionality of your system. The modular control system comprises of the basic module (BM) and the function module (FM). Consequently, upgrading in accordance with individual customer requirements may be carried out without problem. Particularly impressive is the prefabricated **MiniDriveUnit**, industrially tested and equipped with all the necessary electrical and electronic components.

Integrated power

With its extra-powerful motor and a dynamic driving phase control, the integrated **PowerDrive** system ensures safe and reliable operation. And it can readily cope with sliding door weights of up to 2 x 150 kg per door panel weight.

Exceptional cost-efficiency

With the ES 200, DORMA offers a drive system of modular design capable of covering every application on the basis of just a few components. The system offers easy assembly and installation, reduced storage and stocking costs, and simple maintenance for enhanced operational cost efficiency.

A system for the future

With this system you are investing in the future. You also have the security derived from our decades of experience in the automatics business – a history that sets DORMA apart as the market leader in drive and control systems for doors. The ES 200 corresponds to all the latest New Zealand standards and safety regulations.

Delivery formats

The ES 200 is available as a complete, pre-assembled operator ready for installation.

Accessories

DORMA furthermore provides program switches, activators and door profiles all perfectly matched to the operator as ideal complementary components.



Features and benefits

- Modular, flexible system
- With DORMA PowerDrive: Dynamic driving phase control for particularly powerful operation – and with emergency power backup in the form of a rechargeable battery pack
- Industrially prefabricated and tested **MiniDriveUnit**
- Modular control system upgradeable with additional function modules
- Integrated DCW (DORMA Connect and Work) bus system for easy integration of sensors and activator devices
- Easy commissioning via the integrated display
- May be combined with all customary door profiles
- Fully comprehensive range of accessories
- Reliable investment due to compliance with all relevant New Zealand standards.
- 2 year warranty subject to DORMA NZ Ltd standard warranty conditions.

For Specification support email

specification.nz@dorma.com

For a Quote email

tenders.nz@dorma.com

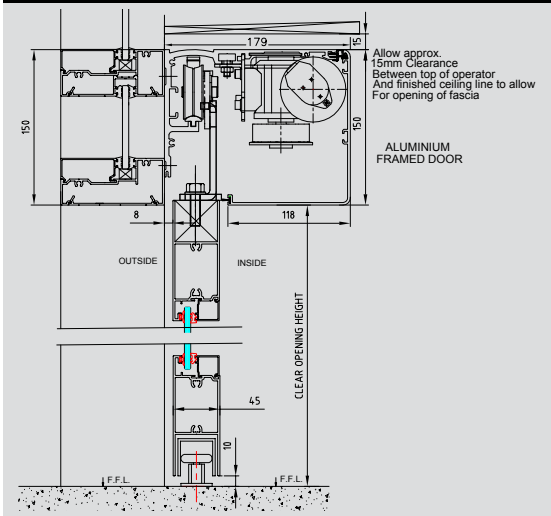
For Service & Maintenance support email

service.nz@dorma.com

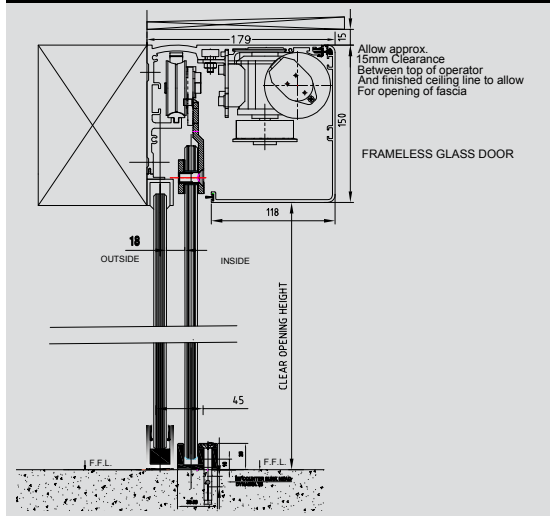
THE PROFESSIONAL OPERATOR FOR INDIVIDUAL DOOR DESIGN

DOOR VARIANT EXAMPLES WITH ES200

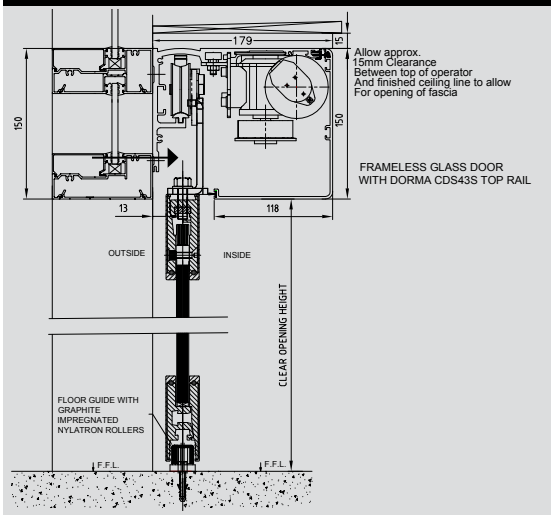
1. ALUMINIUM FRAMED DOOR



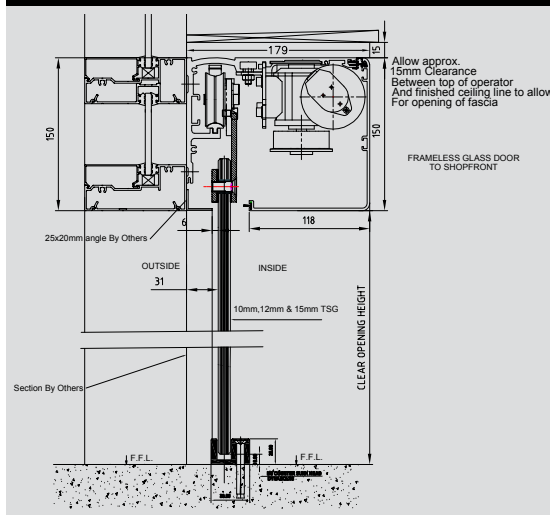
2. FRAMELESS GLASS DOOR



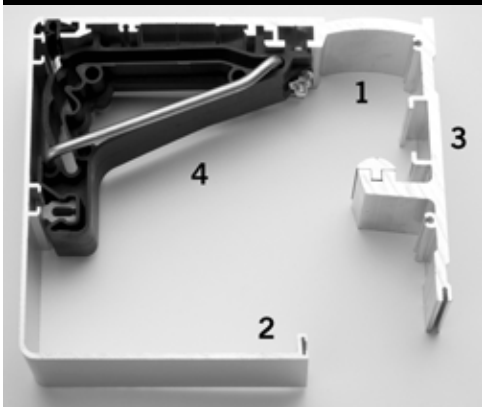
3. FRAMELESS GLASS WITH DORMA CDS43S TOP RAIL



4. FRAMELESS GLASS DOOR ON SHOP FRONT



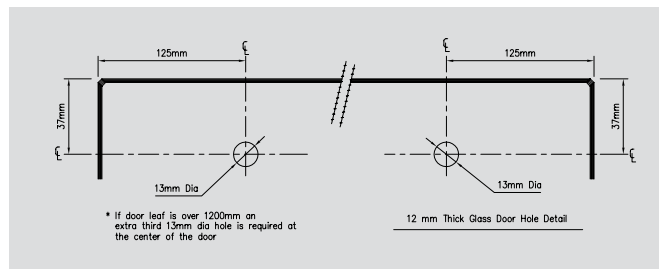
PROFILE FOR WALL FACE FIXING, 150MM



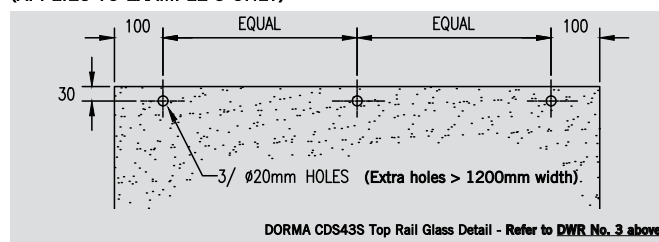
- 1 Basic operator profile
- 2 Interior cover, 150 mm high
- 3 Fixing face of profile
- 4 Service cover holder

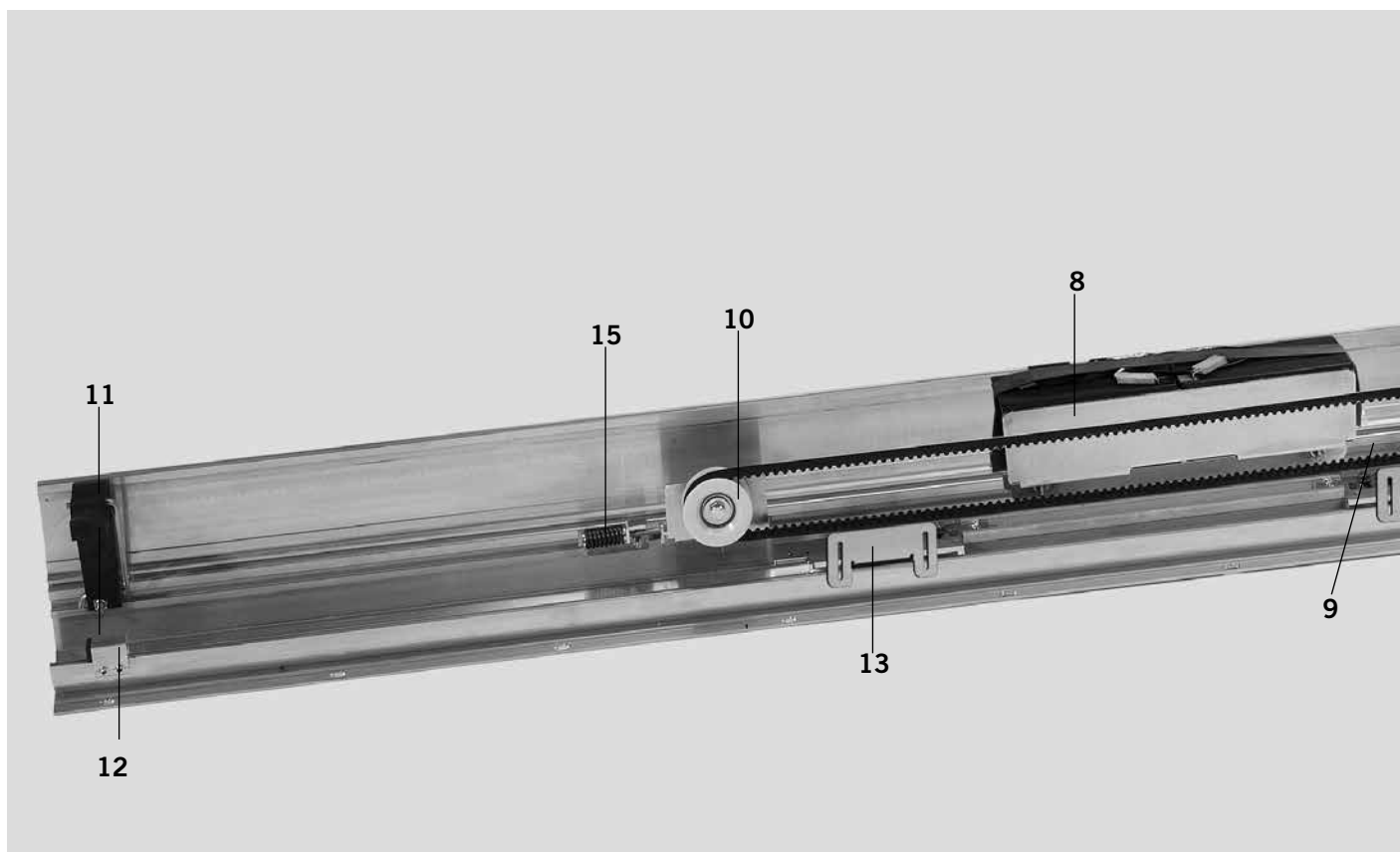
Profile for 150 mm height, for corridor or wall face fixing guarantees adaptation for all possible applications.

ES 200 FRAMELESS GLASS DOOR PREPARATION OPTIONS* (APPLIES TO EXAMPLE 2 & 4 ONLY)



ES 200 FRAMELESS GLASS WITH TOP RAIL (APPLIES TO EXAMPLE 3 ONLY)





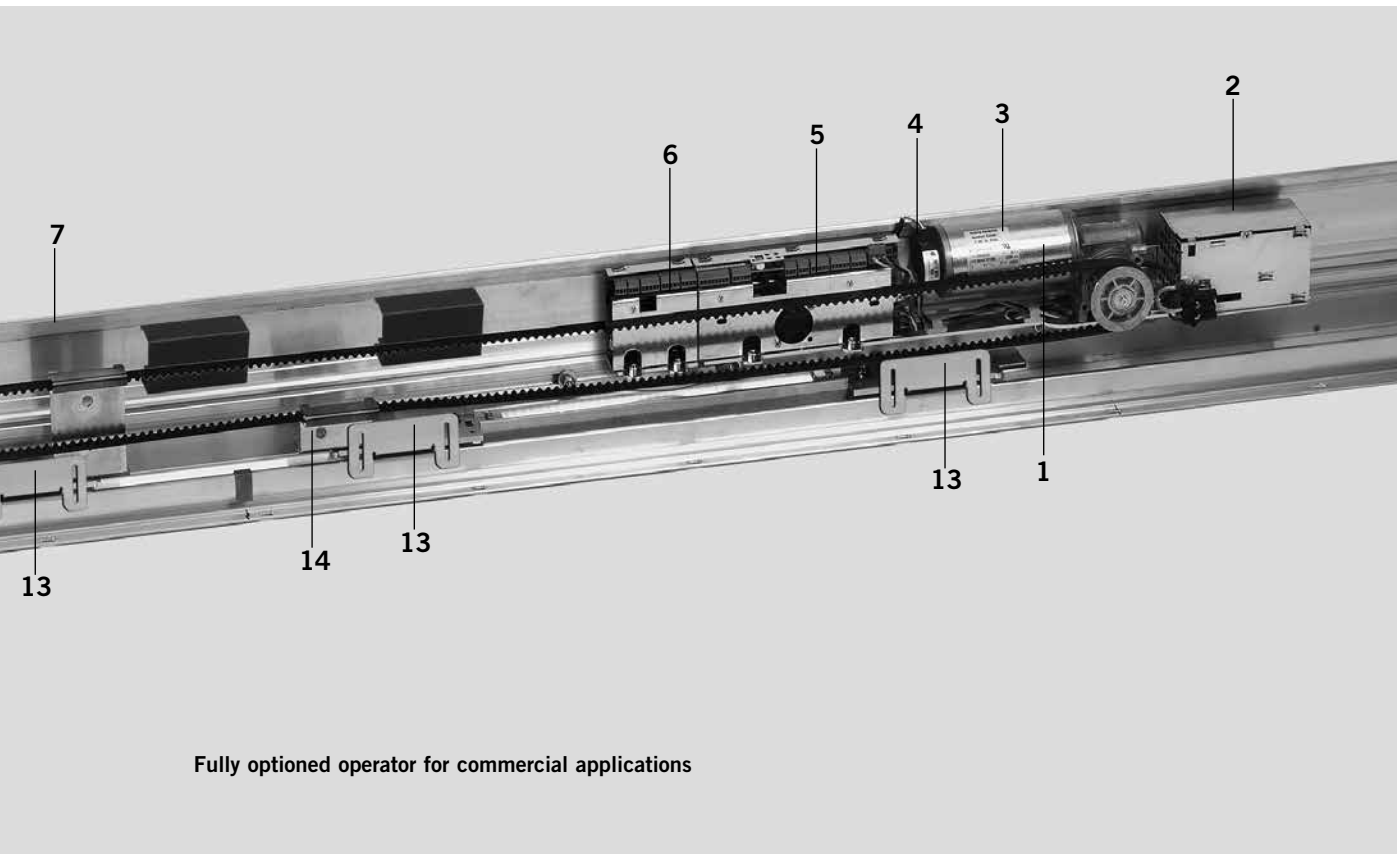
Data parameters	ES 200
Single-panel sliding door	
- Clear passage width LW	700-3000mm
- Door panel weight, max.	1x180kg
Double-panel sliding door	
- Clear passage width LW	800-3000mm
- Door panel weight, max.	2x150kg

Technical data of operator	
Height	150mm Framed 150mm Frameless
Installation depth	180mm
Opening and closing force, max. 150N	●
Opening speed (incremental setting)	10 - 70 cm/s
Closing speed (incremental setting)	10 - 50 cm/s
Hold-open time	0 - 180 sec.
Supply voltage, frequency	230V, 50/60 Hz
Power consumption	250W
Class of protection	IP 20
Compliant with EU Low voltage directive and EMC Directive	●
Manufactured to ISO 9001:2000	●

● Yes

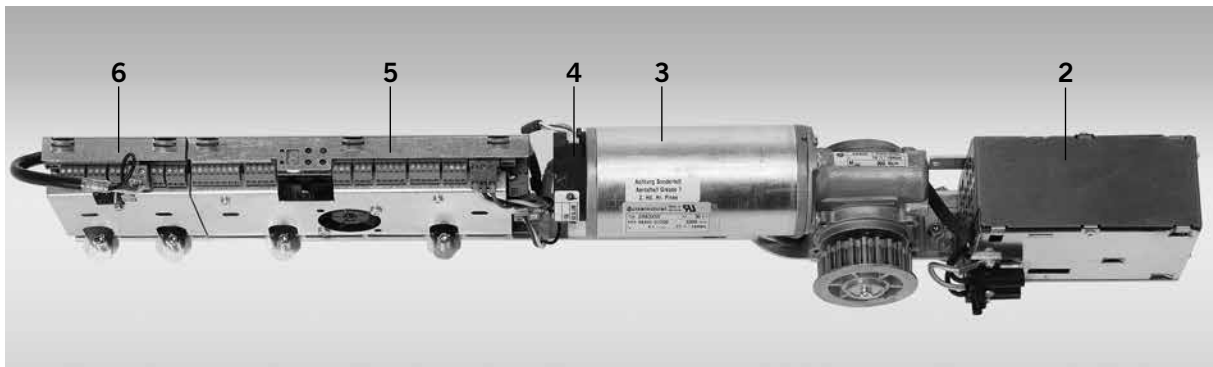
Technical data of operator	
Modular design	●
Microprocessor-controlled function programs	
- Lock	●
- Automatic	●
- Permanent Open	●
- Half Open	●
- Exit Only	●
- Night/Bank Function	●
Connections for	
- Electro-mechanical locking device	●
- Light barriers	●
Adjustment of all basic parameters via integrated display and pushbuttons	●
24V DC output for external accessory	●
Read-out error memory with error codes	●
DCW bus interface	●
Rechargeable battery pack for emergency operations	●

Functioned module (FM)-optional extra	
Pharmacy function	●
Door status contact (three)	●
Main and secondary closing edge protection	●
Panic closing function	●
Bell contact	●
Airlock control	●
Synchronous operations	●



Fully optioned operator for commercial applications

MiniDriveUnit 1



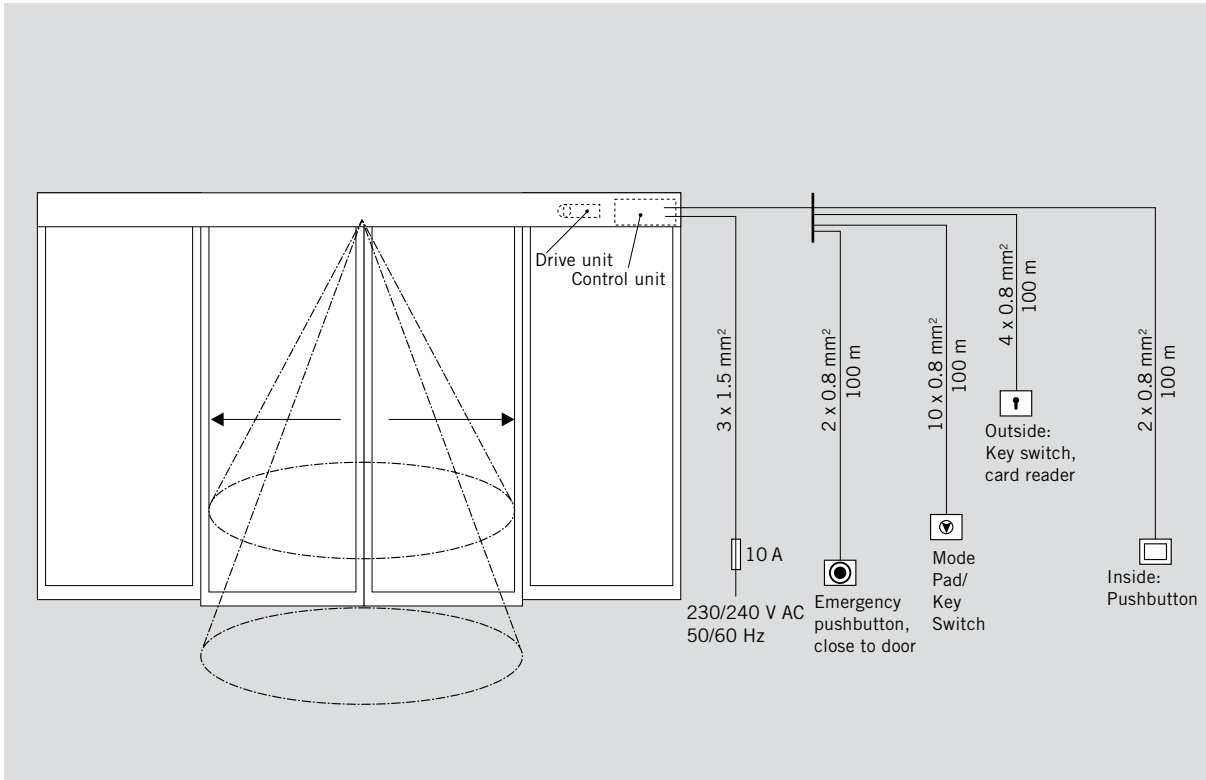
At the core of the **ES 200**: the prefabricated **MiniDriveUnit**, has been industrially tested with all the requisite electrical and electronic components, thus greatly facilitating the assembly, installation and maintenance of the operator.

Components

- | | |
|-----------------------------------|--|
| 1 MiniDriveUnit | 8 Rechargeable battery pack |
| 2 Power supply unit | 9 Carrier head |
| 3 Motor | 10 End Pulley |
| 4 Decoder | 11 Service cover bracket |
| 5 Basic module (BM) | 12 End stop |
| 6 Function module (FM) | 13 Adjustable door hanger Bracket |
| 7 Housing/mounting profile | 14 Belt connection |
| | 15 Belt tensioning device |

SYSTEM ACCESSORIES

Connections



Program switch

When combining the system with a program switch out of the DORMA accessory range, the automatic door system even meets individual requirements and offers easy handling.

These program switches are available in various designs and have been created for numerous applications. Ranging from a mechanical to a full-electronic version.

PK Series Security Key Switches

- Solid construction prestige keyswitch
- Security concealed fixing points. Suitable for most master key systems
- PK2 - Spring return switch
- PK4 - Four position switch

PK4 Part No. A81009004 PK2 Part No. A81009002

Key Switch

External momentary key switch on SS plate.

Part No. SW8161

Mode Pad

- 5 Operating Modes
- Emergency Exit Button
- Customer Pin Code
- Lock/Auto/Open/Exit/Half

Part No. NHD4016

Internal Optional Keyswitch

K5

- Auto
- Open
- Half
- Lock
- Exit

Part No. SW8157

Motion Sensor



- Adjustable field detection W4500 x D2000mm
- Flexible mounting options
- Rain cover option
- Operating voltage 12/24 V AC/DC

Part No. A86002000

Pushbutton



- Palm activated rocker button
- Stainless Steel finish
- Dimension H80mm x W80mm x D9mm

Part No. D19143001170 - Finish SSS

Motion/Presence Sensor



- Dual motion/presence sensor
- Presence safety curtain 2mt wide x 0.20mt deep
- Motion field 4m wide x 2m deep

Part No. A86712400

Pushbutton with disabled logo,



- Palm activated rocker button with handicapped symbol
- Stainless Steel finish
- Dimension H80mm x W80mm x D9mm

Part No. D19143201170 - Finish SSS

Presence Sensor



- Presence sensor
- Presence safety curtain 2mt wide x 0.20mt deep

Part No. A86302100

Keypad



- Keypad for pin number access
- 0-9 Keypad
- Dimensions H148mm x W43mm x D20mm

Part No. SW9475 - Finish Black

Safety Beams



- Flush mount safety beams
- Maximum distance

Part No. B04029050 - Finish Black

Card Reader



- Suitable for secure applications that require card access
- Dimensions H90mm x W45mm x D15mm

Part No. SW9470 - Finish Black

Touchless Switch



- Wall mounted touchless switch
- Stainless Steel finish
- Dimensions H115mm x W70mm x D25mm

Part No. DS6114 - Finish Black

Pushbutton



- Key chain remote control ease of door activation

Part No. SW2469 - Finish Black



DORMA NZ Limited
Head Office
Building P
61-69 Patiki Road
AVONDALE
Auckland 1026
Phone 0800 436 762
info.nz@dorma.com