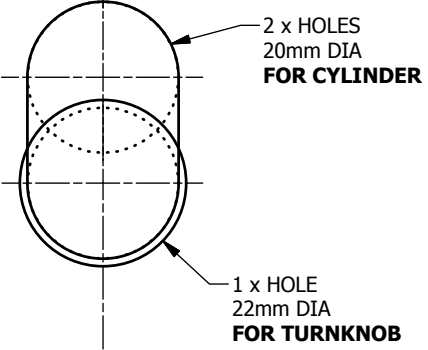


MS MORTICE LOCK FITTING TEMPLATE



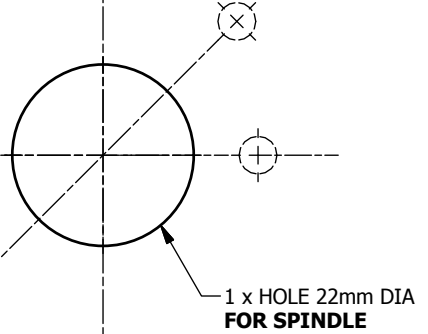
WARNING!
 *ONLY DRILL THE HOLES THAT ARE REQUIRED TO SUIT THE LOCK FUNCTION
 *ENSURE LOCK IS REMOVED BEFORE DRILLING ANY HOLES
 *DRILL EACH HOLE FROM BOTH SIDES OF THE DOOR TO PREVENT DAMAGE

2 x HOLES 7mm DIA FOR PLATE FURNITURE

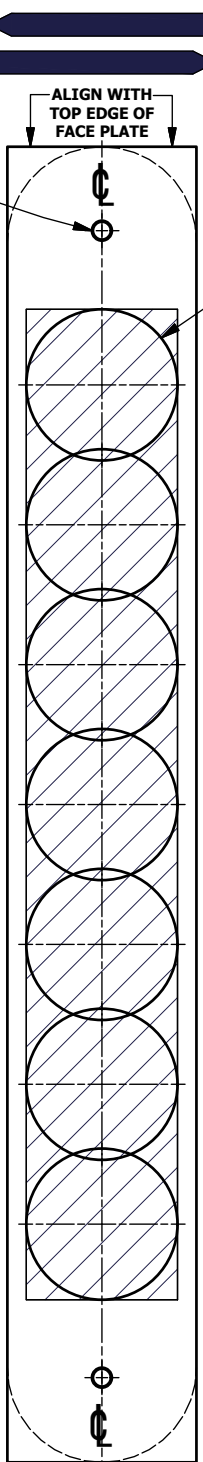


DRILL REQUIRED HOLE POSITION 5mm DIA FOR FURNITURE

FROM FINISHED FLOOR LEVEL IN ACCORDANCE WITH RELEVANT BUILDING CODES



FOLD DOTTED LINE ALONG EDGE OF DOOR FOR 95mm BACKSET
 FOLD DOTTED LINE ALONG EDGE OF DOOR FOR 60mm BACKSET



FOLD DOTTED LINE ALONG EDGE OF DOOR FOR 95mm BACKSET
 FOLD DOTTED LINE ALONG EDGE OF DOOR FOR 60mm BACKSET

2 x HOLES 20mm DIA FOR CYLINDER

1 x HOLE 22mm DIA FOR TURNKNOB

2 x HOLES 7mm DIA FOR PLATE FURNITURE

DRILL REQUIRED HOLE POSITION 5mm DIA FOR ROUND ROSE FURNITURE

FROM FINISHED FLOOR LEVEL IN ACCORDANCE WITH RELEVANT BUILDING CODES

1 x HOLE 22mm DIA FOR SPINDLE