

SCHLAGE

CO 100

Standalone electronic Lock



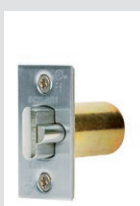
Pictured: CO 100

The CO Series is the ideal solution for customers seeking the added security and convenience of electronic access control without the cost or complexity of a fully networked system.

The CO 100 is an offline lock that is manually programmable. User rights for the CO 100 are stored on the lock. Unique PIN codes can be assigned to each user. This minimises the number of mechanical keys issued which protects the integrity of your key system. PIN codes can be easily added or deleted at anytime right at the door.

Mechanical key override is standard and compatible with multiple cylinder types. The CO Series is also compatible with many popular brands of exit devices. The CO Series has been tested to the highest standards in the industry to ensure the quality and reliability you have come to expect from Schlage.

Lock Types



Standard 70mm Latch Bolt
used with CO Series



990 Mortice
Lock

Features

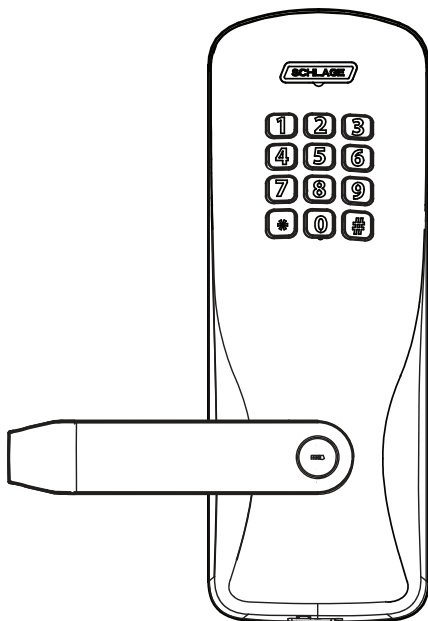
- Easy to install
- Battery powered – requires 4 standard AA alkaline batteries (included)
- Schlage CO Series locks are available in cylindrical versions and 990 mortice versions
- Manually Programmable
- Up to 500 unique 3-6 digit PIN codes stored on the lock
- ANSI/BHMA Grade 1 certified and UL 294 listed
- 12 button keypad
- Classroom/Storeroom function and Office function available
- Chassis options include cylindrical and exit trim
- Compatible with most major brands of key system and exit devices
- Normal, toggle, pass through and freeze credential attributes available

Code Types*

- Programming: Used to enable programming of the lock. Does not unlock the lock
- Normal Use: Unlocks the lock momentarily when in a normally secured state
- Toggle: Changes the state of the lock unless in Freeze state
- Freeze: Maintains the lock in current state until Freeze PIN is entered again
- Pass-through: Unlocks a lock momentarily, regardless of state

* Codes can be 3-6 digits in length

CO 100 Standalone Electronic Lock

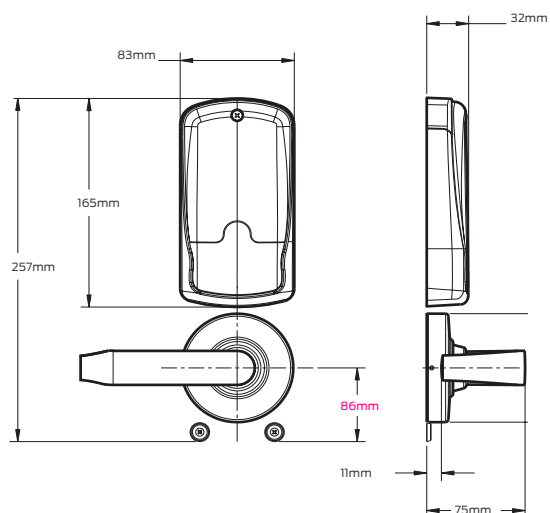
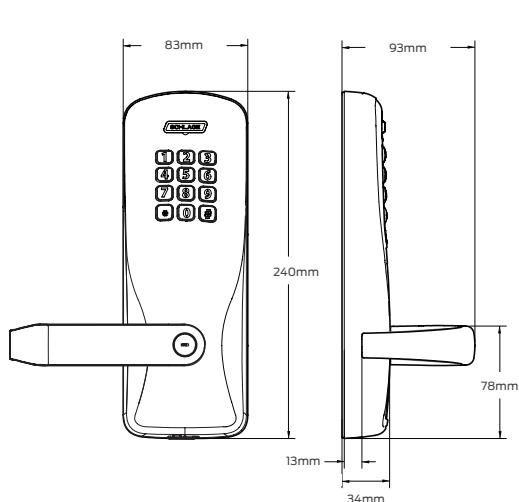


Pictured: CO100

Specifications

Users	500
Credential Verification Time (Keypad Only)	≤ 1 second
Visual/Audible Communications	Tri-coloured LED's & audible indicators
Power Supply	4 AA batteries
Battery Life	Up to 2 years with 4 AA batteries
Operating Temperature - Exterior	-35° to 66°C
Operating Temperature - Interior	0° to 49° C due to battery
Operating Humidity	0-100% condensing
Certifications	ANSI/BHMA A156.25 Grade 1, UL 294, UL 10C, FCC Part 15, ADA
Handing	Handed to order, field reversible
ANSI Standard	Meets or exceeds A156.25 and A156.2 Series 4000, Grade 1 strength and operational requirements
Door Thickness	45mm standard, 35mm to 70mm optional (available in 3mm increments)
Backset	70mm standard, 60mm, 95mm and 127mm optional
Latch Bolt	13mm throw security latch standard 19mm throw optional
Lever	Pressure cast zinc, Satin Chrome plated
Strike	ANSI curved lip strike 32mm x 124mm x 30mm lip to centre standard, optional strikes, lip lengths and ANSI strike box available
Warranty	1 year

Dimensions





CO 200

Standalone electronic Locks



Pictured: CO 200



Fire Rated: Tested on fire door assemblies in accordance with Australian Standards, refer fire door manufacturer for specific approval details

The CO Series is the ideal solution for customers seeking the added security and convenience of electronic access control without the cost or complexity of a fully networked system.

The CO 200 is computer programmable with user's rights stored on the lock. The Handheld Device (HHD) used in conjunction with your access control software, allows you to easily add or delete users and retrieve audits. By issuing electronic credentials you can minimise the number of mechanical keys issued which protects the integrity of your key system. A variety of credential readers are also available including: keypad only, magnetic stripe, and proximity.

The magnetic stripe and proximity readers are also available with keypad for the added security of dual authentication. Mechanical key override is standard and compatible with multiple cylinder types. The CO Series is also compatible with many popular brands and types of exit devices.

Features

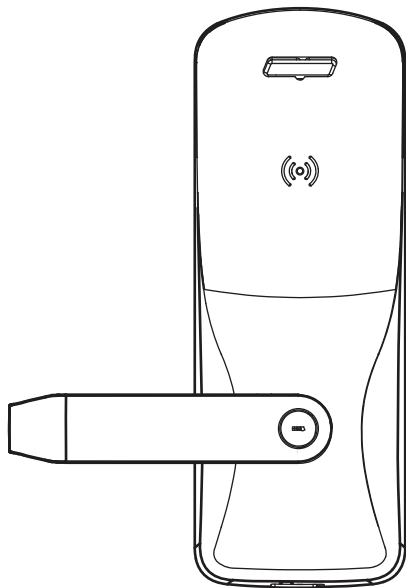
- Easy to install
- Battery powered – requires 4 standard AA alkaline batteries (included)
- Schlage CO Series locks are available in cylindrical versions
- Computer Programmable with audit trail
- Up to 2000 users and up to 2000 audits
- ANSI/BHMA Grade 1 certified and UL 294 listed
- 12 button keypad
- Up to 32 holidays and 16 time zones
- User rights stored on the lock
- Compatible with most major brands of key system and exit devices
- The ability to add and delete users at the lock
- Classroom/Storeroom, Office, and Privacy functions available

Code/Credential Types*

- Programming: Used to enable programming of the lock. Does not unlock the lock
- Normal Use: Unlocks the lock momentarily when in a normally secured state
- Toggle: Changes the state of the lock unless in Freeze state
- Freeze: Maintains the lock in current state until Freeze PIN is entered again
- Pass-through: Unlocks a lock momentarily, regardless of state

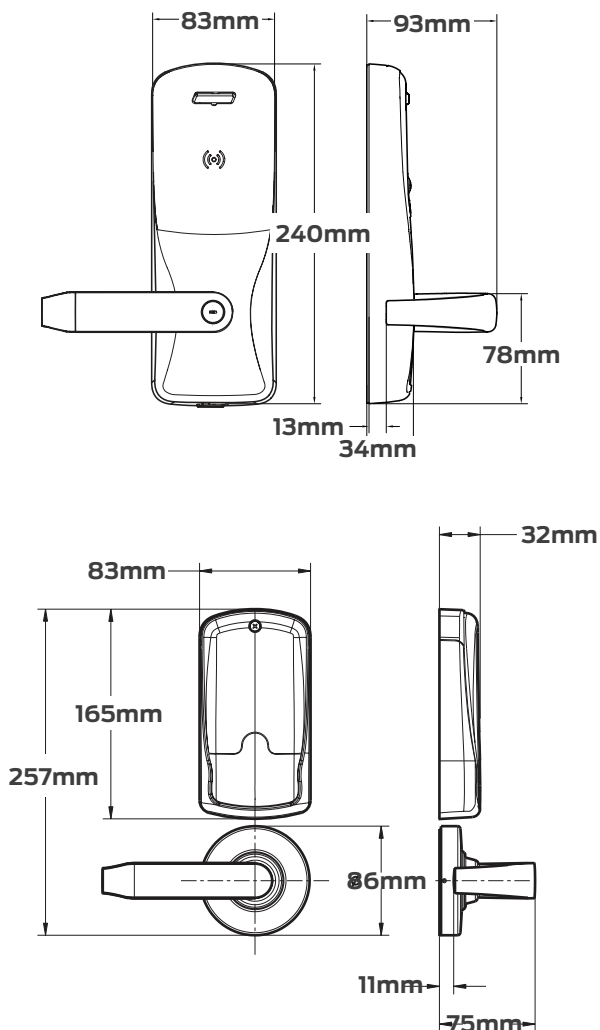
* Codes/credentials can be 3-6 digits in length

CO 200 Standalone Electronic Locks



Pictured: CO 200

Dimensions



Specifications

Users	Up to 2000
Audits	Up to 2000
Credential Verification Time (Keypad Only)	≤ 1 second
Visual/Audible Communications	Tri-coloured LED's & audible indicators
Power Supply	4 AA batteries
Voltage Range	4 VDC to 7 VDC
Max Current Requirement	Up to 250 mA
Battery Life	Up to 2 years with 4 AA batteries
Operating Temperature - Exterior	-35° to 66°C
Operating Temperature - Interior	0° to 49° C due to battery
Operating Humidity	0-100% condensing
Certifications	ANSI/BHMA A156.25 Grade 1, UL 294, UL 10C, FCC Part 15, ADA
Handing	Handed to Order, Field Reversible
ANSI Standard	Meets or exceeds A156.25 and A156.2 Series 4000, Grade 1 strength and operational requirements
Door Thickness	45mm standard, 35mm to 70mm optional (available in 3mm increments)
Backset	70mm standard, 60mm, 95mm and 127mm optional
Latch Bolt	13mm throw security latch standard 19mm throw optional
Lever	Pressure cast zinc, Satin Chrome plated
Strike	ANSI curved lip strike 32mm x 124mm x 30mm ip to centre standard, optional strikes, lip lengths and ANSI strike box available
Warranty	1 year