



**INTRODUCTION TO**

**ELOK**

**7 - Series**

# ELOK

# 7-Series

## Introducing New Zealand's smartest and most versatile electronic lock set: E-LOK 7-Series

7-Series body is a mere 38mm wide, making it the slimmest smart lock on the New Zealand market.

7-Series is purpose built for new and retrofit styles including aluminium joinery in homes built in the 90's and 2000's.

Designed and engineered to suit New Zealand's harshest outdoor conditions with an IP 55 rating.

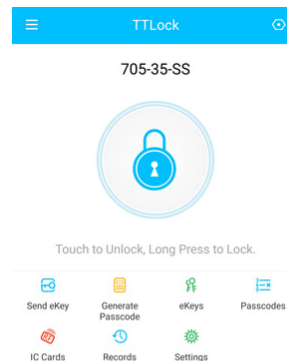
Available in a Brushed Stainless-Steel finish or a Electroplate Matte Black finish.

Multiple use and unlock functions including fingerprint and WiFi functionality.



## 7-Series Features:

- RFID Card
- Pin Code
- App, access through Bluetooth or WiFi
- Security Key  
(Security key override in case of flat battery)
- Fingerprint  
(Only available on E-LOK 707)



**55**  
IP  
RATING

E-LOK 7-Series is certified in IP55 rating, protecting it from rain and dust.

**2**  
YEARS  
WARRANTY

Every E-LOK 7-Series comes with a Two Year Mechanical and Electrical Warranty.

- Every 7-Series comes with 3 RFID cards, 3 mechanical keys and ships standard with a 35mm back set mortice. In every order the required 4xAAA Batteries are included as complimentary.

## 7-Series Models:

### E-LOK 705:

E-LOK 705 is the base model in the 7-Series.

705 offers the following unlock methods:

- Pin code
- App unlock
- RFID Card
- Mechanical Key

E-LOK 705 is the perfect smart lock for the security conscious homeowner.

Available in Stainless Steel or Matt Black



### E-LOK 707:

E-LOK 707 is the top model in the 7-Series range. 707 packs all the features of 705 plus the addition of a fingerprint sensor. 707 offers the following unlock methods:

- Pin code
- App unlock
- RFID Card
- Mechanical Key
- Fingerprint

E-LOK 707 is the perfect smart lock for the high-end homeowner.

Available in Stainless Steel or Matt Black

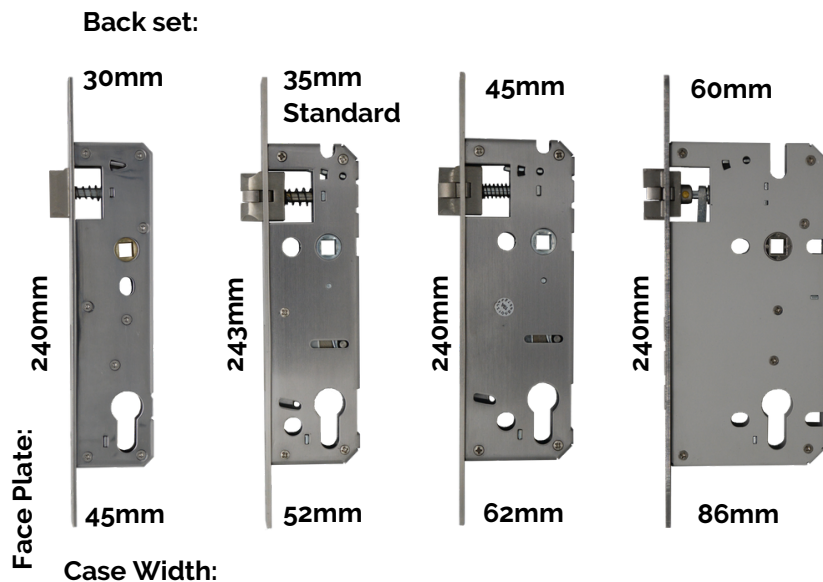


# E-LOK

# 7-Series

## Product Options:

We can supply the following back set mortices: 30mm, 35mm (Standard), 45mm, and 60mm. As E-LOK 7-Series can retrofit into clients' existing mortice locks you can order an E-LOK without a mortice. 7-Series will also work with 4-Point mortice locks. When retrofitting into existing mortices keep in mind the E-LOK 7-Series does not have the function of a euro cylinder. We recommend using E-LOK branded mortices when possible.



We offer the following spare parts for purchase:

- Full spare screw packs
- Spare Fobs

**App:** E-LOK does require the use of an app for the initial set-up process. In the initial set-up clients can add almost unlimited volumes of pin codes, 200 RFID cards and 200 fingerprints (707 Model). It allows you to change settings, lock names and manage multiple E-LOK products.

**E-LOK Gateway:** As an add-on, customers can purchase the E-LOK Gateway. This takes all the Bluetooth functionality of the base product and transfers the data via Wi-Fi. E-LOK Gateway is a small device, about the size of a wallet and sits between the E-LOK 7-Series and the Wi-Fi Router. This allows clients to manage and control their E-LOK when they're offsite. It also allows them to receive notifications in real time when their E-LOK is unlocked and see what unlock-code was used.



**E-LOK Gateway**

- Dimensions: 26mmx26mmx76mm
- USB Type-C
- Requires Wi-Fi

## 7-Series Options:



### E-LOK -705

- Pin Code Unlock, RFID, Key override
  - + App access through Bluetooth



### E-LOK -707

- Pin Code Unlock, RFID, Key override
  - + App access through Bluetooth
  - + Fingerprint Sensor

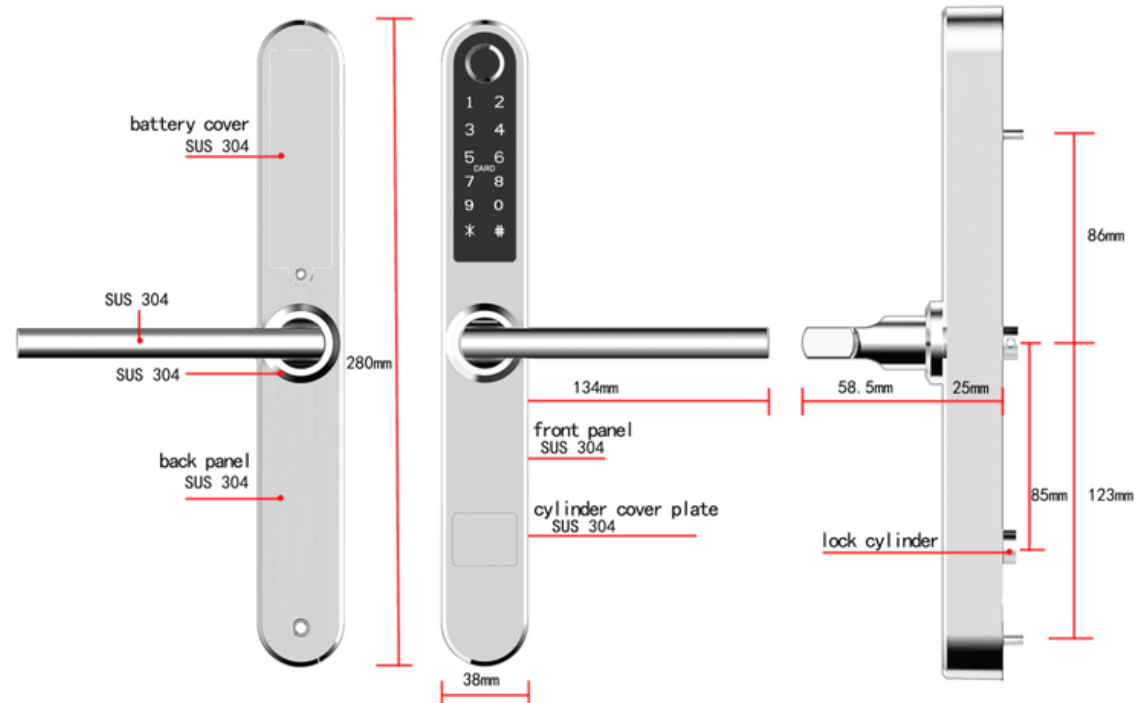


### E-LOK WiFi Gateway

- Unlock remotely via WiFi,  
Manage and monitor pass-codes over WiFi,
- Manage Air BnB rooms via App

## 7-Series Specs:

- Requires: 4xAAA Batteries (Included)
- Battery Life: 10,000 Lock and Unlock Operations
- Unlock Methods: RFID Card, Pincode, App, Key + Fingerprint (707 model)
- Dimensions: 280mm(H)\*38mm(W)\*25mm(D)
- Max Num. E-LOKS on app: Unlimited
- Max Num. Pin codes: Unlimited
- Max Num. RFID Cards: 200
- Max Num. Fingerprints: 200
- Construction: 304 Stainless Steel
- IP Rating: IP55
- Operating Temp: -20C° -70C°
- Door Thickness: 30-80mm
- Operating Humidity: 10% - 95%
- 2 Year Warranty



**ELOK**

P 03 928 5098 E [sales@elementshardware.co.nz](mailto:sales@elementshardware.co.nz)  
A 241 North Road, Waikiwi, Invercargill 9810  
E-LOK.com