



# SECTION C

## Bi-Folding Window and Door Hardware

Twin Bolt Locksets	C2 - C3
Pinnacle Bi-Fold Locksets	C4
Flush Bolts	C5
Bi-Fold - Heavy Duty Range	C6
Hinges	C7

## Aria / Uno Twin Bolt for Bi-Folding Windows and Doors



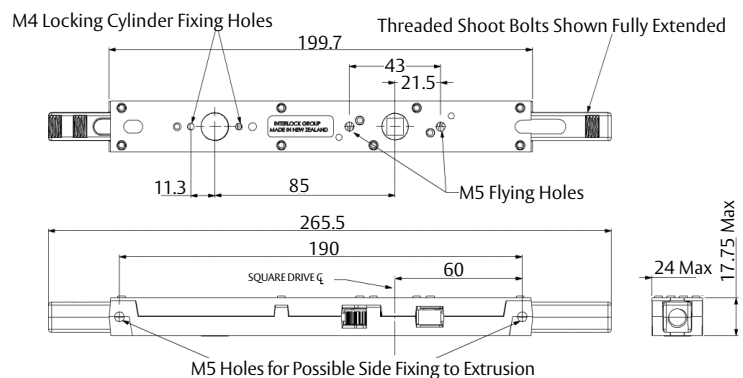
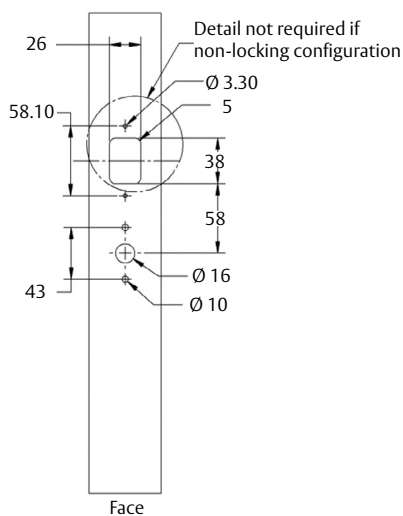
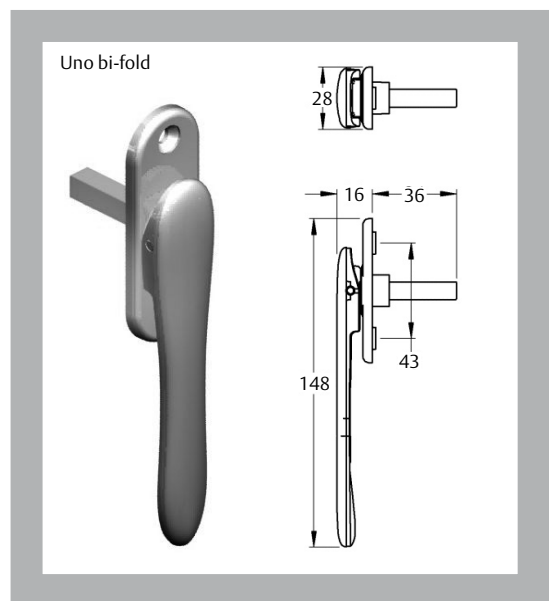
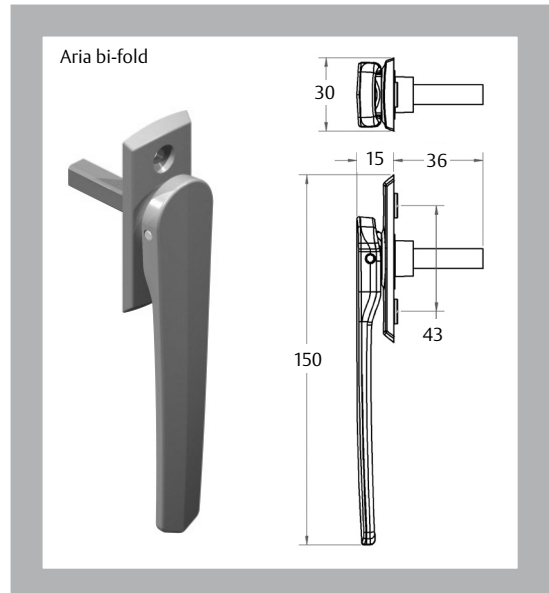
The Twin Bolt lock body has been designed for use on both bi-fold windows and doors. The Twin Bolt combines security features with a practical design, fulfilling the needs created by architectural innovations within the residential market. Suitable for use with aluminium or uPVC hinged windows and doors.

### Features

- Twin Bolt features internal locking only
- Standard rod length 1 x 1m + 1 x 1.3m
- Provides two points of security with throw rods top and bottom (13mm throw)
- Practical, easy installation
- Zinc die-cast construction
- Standard moulded plastic packers and fixing screws provided
- Threaded rod connection provides easy adjustment
- Handle turning angle of 90 degrees
- Can be keyed alike to other ASSA ABLOY CYL4™ locks for one key convenience
- New Zealand made

### Options

- Can be used with Aria or Uno handle for bi-fold kit application\*
- Non-locking (internal handle only) or locking (internal handle and cylinder)
- Multipoint rod extension kit available



\* Fits door with a minimum cavity of 18mm x 24mm  
When using an Aria or Uno handle, a gap of 16mm between bi-folding panels is required

## Crest Twin Bolt for Bi-Folding Windows and Doors

Inspired by the beauty of the New Zealand environment, the Crest Bi-fold Handle brings a stylish and contemporary look to complement your aluminium joinery. Its unique bi-fold handle design hides fixing screws and features a subtle, ergonomic shape.

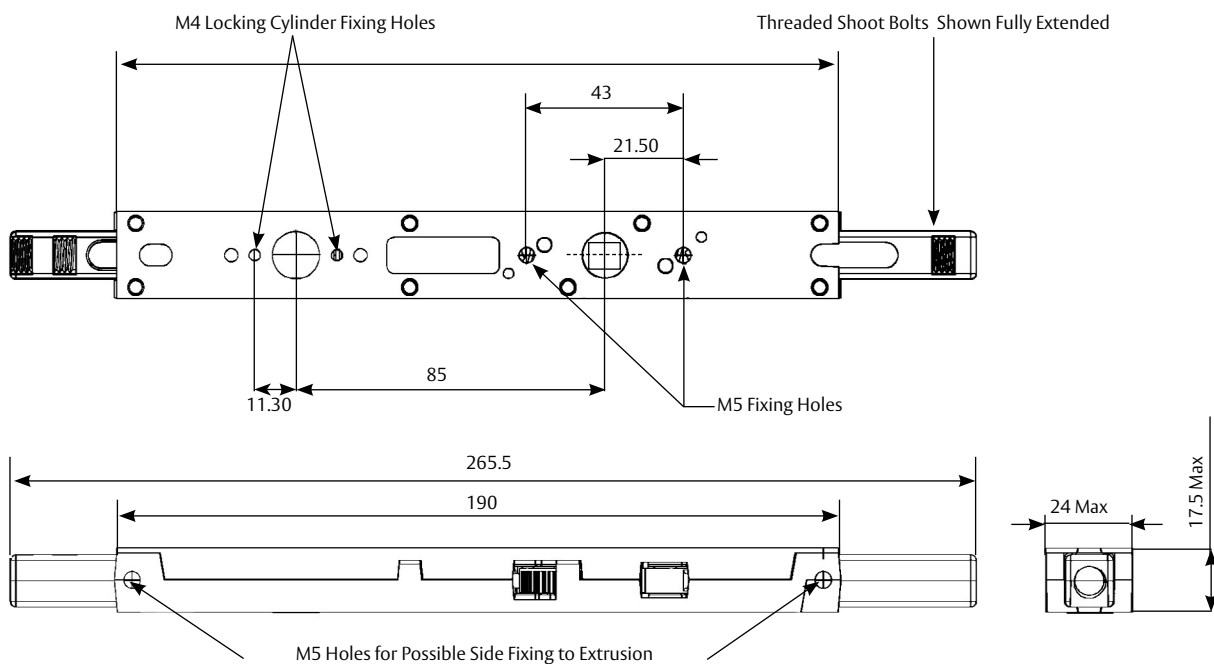
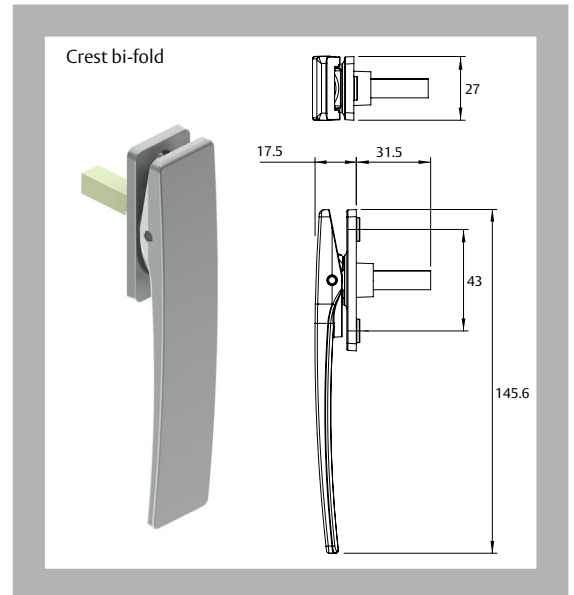
The Crest Bi-fold Handle has been designed for use with the multipoint Twinbolt bi-fold lock platform. The Crest range of furniture provides a cohesive appearance to the hardware on all doors and windows in the home.

### Features

- New Zealand designed and made
- Single central point of operation for rods
- Can be keyed alike with other Crest hardware in the home for one key convenience
- Provides two points of security with throw rods top and bottom (14mm throw)
- Practical, easy installation
- Zinc die-cast construction
- Standard moulded plastic packers and fixing screws provided
- Threaded rod connection provides easy adjustment
- Handle turning angle of 90 degrees

### Options

- Non-locking (internal handle only)
- Locking (internal handle and cylinder)
- Available in a wide range of powdercoat colours and satin chrome



## Pinnacle Bi-fold Locksets



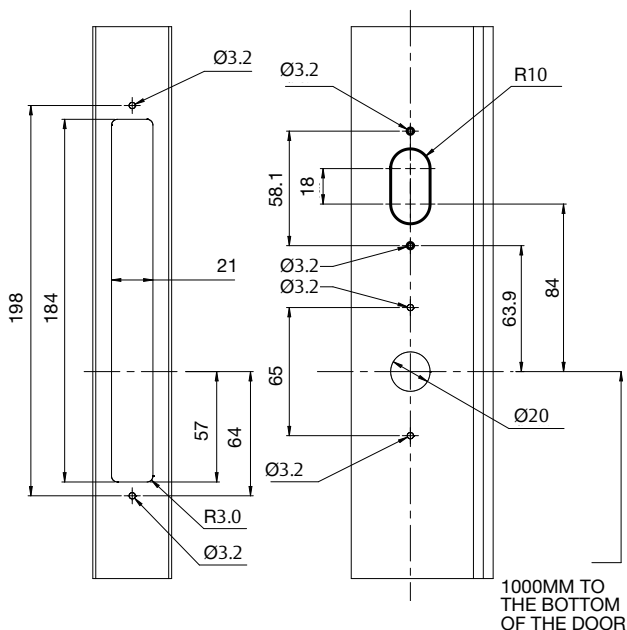
The Pinnacle Short Backset Bi-fold Lock has been designed to benefit fabricators who, because of its depth, are not able to use the current Pinnacle lock as a standard platform in their stiles. Like the current Pinnacle lock, the Short Backset option has been designed to function with standard euro cylinders and Uno, Aria and proprietary bi-fold levers.

### Features

- Smaller 25mm backset
- With the use of packers, it is available in 30, 35 and 40mm backsets
- Able to be retrofitted using existing Pinnacle routing in 30, 35 and 40mm backsets
- Easier to install
- 22mm of throw enables customers to achieve optimal weather performance on their systems
- Uses a Euro 5 pin cylinder (*no proprietary cylinder required*)
- Does not require all the packers that the TBL needs
- Possible commercial application opportunities, where panels are getting bigger and section profiles smaller
- Easier to remove and service the locking mechanism if necessary



25 BACKSET ROUTING IS 23mm FROM FACE  
30 BACKSET ROUTING IS 28mm FROM FACE  
35 BACKSET ROUTING IS 33mm FROM FACE  
40 BACKSET ROUTING IS 38mm FROM FACE



## Flush Bolts

The Interlock flush bolt range is used for the safe bolting of aluminium doors and windows. The 7mm diameter plated steel rod provides high security and is activated by a strongly constructed die-cast zinc body and operating lever with comfortable finger grip.

### Features

- A rod guide is also supplied for fitting inside the door / window frame
- A 600mm rod option is also available

### Options

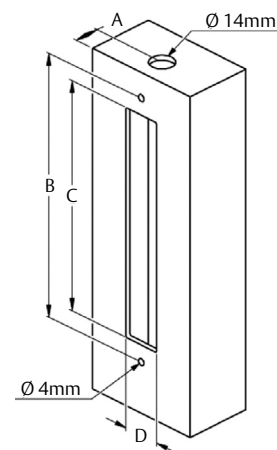
The range has three variants-

- **Surface-mounted model** with standard width face plate, can be mounted either on the face or on the leading edge of a door stile
- **Surface-mounted narrow face plate**, is suitable for bi-fold windows as well as doors because of its smaller lines
- **Recessed model**, has a shorter overall length and is recessed into a door stile to give a smooth, flush appearance.
- Sizes and types to suit both doors and windows
- Available in a range of colours to match decor

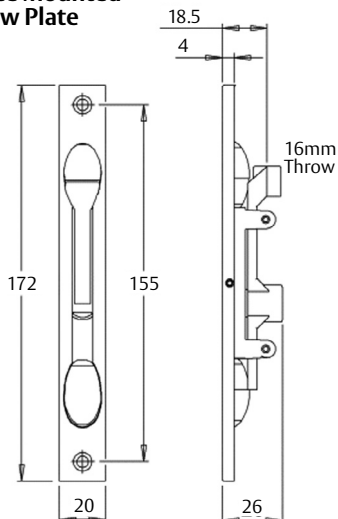


	A	B	C	D
P3512 Surface Mounted	13	153	120	19
P3513 Recess Mounted	17.5*	129	110	23
P3514 Surface Mounted Narrow	15	155	120	18

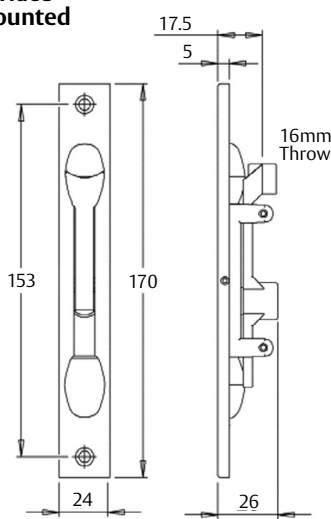
\* Measured from inside of extrusion



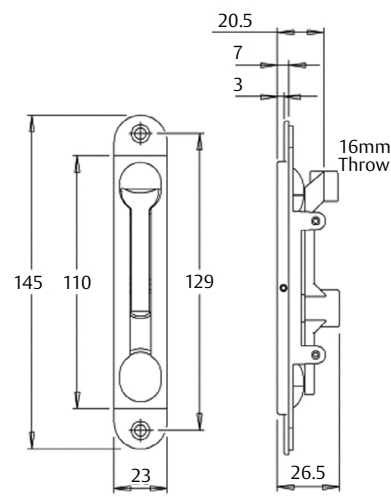
### Surface Mounted Narrow Plate



### Surface Mounted



### Recessed

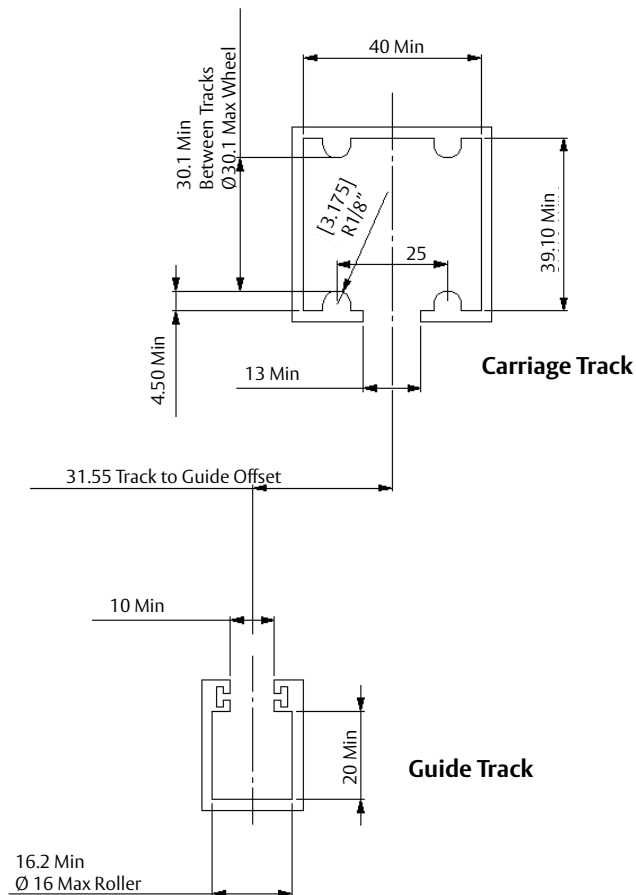


## Heavy Duty Bi-fold

This heavy duty bi-fold system is designed for aluminium doors. The system is made up of three components: a carriage/bottom set guide, a hinge and a D-Handle.

### Features

- Maximum recommended panel sizes of 3000mm high by 900mm wide
- Maximum panel weight of 80kg
- Vertical adjustment of 10mm
- Hinges are non-handed and have removable hinge pins
- Carriage and guide sets are available in left, right hand and central configurations
- Includes complementing D-Handle
- New Zealand made



## Surface Bi-fold D-Handle / Hinge

The Interlock range of folding door hardware has been specifically designed to fit timber joinery, the use of which has become more popular in recent years. The D-Handle and Hinge is part of this thoroughly tested range of quality hardware for bi-folding exterior doors and windows.

### Features

- Available in a wide range of powdercoat colours
- Ergonomically designed 'D' handle for comfortable grip and easy operation
- New Zealand made

