

HES® KS200 Series Cabinet Lock

*Integrated Wiegand
server cabinet lock*



Designed to integrate seamlessly with existing access control systems and protect critical assets from intrusion and expensive downtime.

Designed to install easily on most swing handle server cabinet doors, the KS200 comes standard with lock monitoring and utilizes an SFIC (Small Format Interchangeable Core) mechanical key override. An additional optional extended DPS monitoring sensor can be connected to ensure that the cabinet is closed, locked and secure.

The hard powered KS200 features HID multiClass SE® contactless card technology.

Features

Standard Features

- HID multiClass SE card technology
- Integrates with existing access control systems and ID badges
- Hardwired Wiegand communication
- Locked state monitoring and additional optional extended DPS monitoring to ensure cabinet is closed, locked and secure
- Non-handed
- Designed for standard cam-activated swing handle applications with 25 mm x 150 mm lock opening
- Audit trail limited by EAC system
- LEDs indicate valid/invalid entries; Red Amber or Green Amber
- SecuriCare three-year, no fault, no questions asked warranty

Accessories

- **SFIC** MEDECO X4 SFIC Cylinder & 2 keys (1 control, 1 user)
- **SFIC-BC** KS SFIC Blank, Black Plastic Core
- **KS-DPS** Surface Mount DPS (external)
- **KS-CAM38** CAM: 38MM-1
- **KS-CAM45** CAM: 45MM-5
- **CBL6-QC12** K200/KS200 Lock Side Interface Cable: 6 foot, 12 conductor and Molex both ends
- **CBL12-QC12** K200/KS200 Lock Side System Interface Cable: 12 foot, 12 conductor and Molex one end, pinned one end
- **WT-1** Wiegand Test Box with LED Indicators
- **WT-2** Wiegand Test Box with LCD Backlit Display and LED Indicators

For easy 3D instructions, download the BILT mobile app



3
Year
SecuriCare
Warranty



Swinging
Door

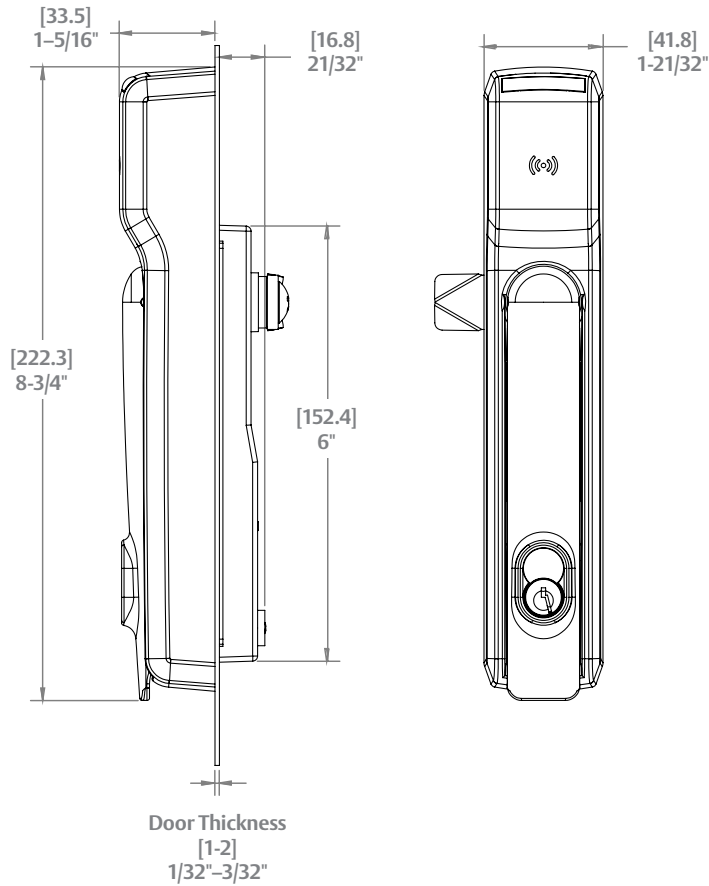


Dual Voltage
12/24



PoE
Friendly

Dimensions



Specifications

Certifications

- FCC Part 15 & Industry Canada Compliant
- EU/CE Mark (EN 300 & 301)
- RoHS Compliant

Electrical

- Dual voltage 12 / 24 VDC +/- 10%
 - 470 mA at 12 VDC / 245 mA at 24 VDC

Holding Force

- Static strength 250 lbs

Operating Temperature

- +32 to +122F [0 to +50C]

Card Technology

- **High Frequency (13.56 MHz)**
 - HID iCLASS®
 - HID iCLASS SE® (SIO®-enabled)
 - HID iCLASS® Seos®
 - ISO 14443b UID
 - MIFARE Classic™
 - MIFARE DESfire™ EV1
 - MIFARE DESfire™ SE
 - FeliCa™ (IDm)
- **Low Frequency (125 kHz)**
 - HID® Prox
 - EM4102
 - AWID Prox
 - NFC-enabled Mobile Phones

How to Order

Series	Model
KS200	– 640
640 Wiegand, MultiCLASS SE	