

Features

- Controlled by your Smart Phone via the E-LOK App
- IP55 Weather Rated - perfect for New Zealand conditions
- Up to 200 unique custom pincodes
- Includes 3 RFID Cards
- Mechanical privacy switch
- Programmable auto lock or passage mode operation
- Low battery level warning
- Tamper alert alarm
- Mechanical key override
- Suitable to replace existing door lock
- Compatible with 4-point lockbodies
- Powered by 4xAA batteries with Eco-drive Motor Technology
- 2 Year Mechanical and Electrical Warranty

ELOK

Find out more at E-LOK.com

Also Available:



7-SERIES Lever



7-SERIES Snib

ELOK



ELOK 8-SERIES

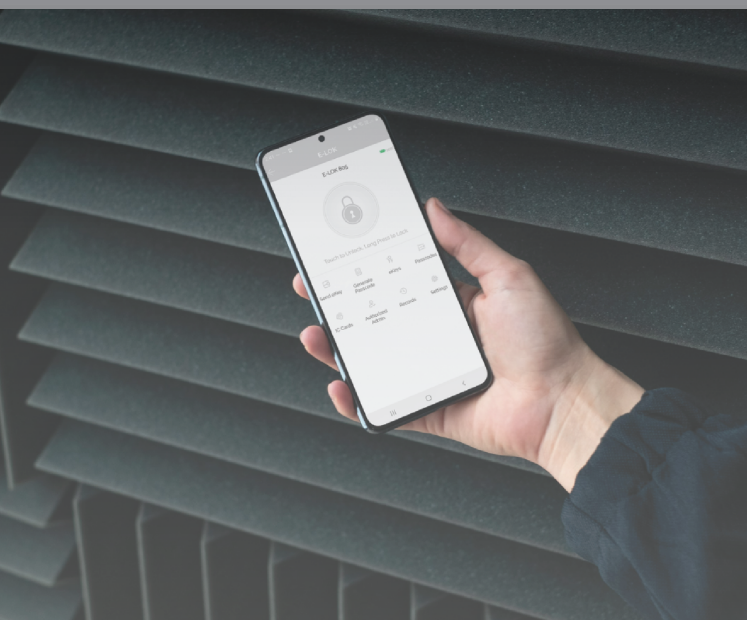
New Zealand's Smart Lock

A Smart Lock that suits your lifestyle, your home and what nature throws at it.

Leave your keys at home with the new E-LOK 805 Smart Lock. Control access to your home with an easy to use app.

Pair your phone to your E-LOK 805 via Bluetooth using the E-LOK app. Set-up a range of pincodes and pair the included RFID Cards for easy access, or unlock via Bluetooth.

Adding and deleting access codes is easy through the app. App includes controls for one-timed pincodes for tradie access. E-LOK app allows you to view all access data including failed unlock attempts.



E-LOK 8-SERIES



Optional E-LOK Gateway
(for remote Wi-Fi access)



Eco-drive Motor



IP55 weather rated



Four easy unlock methods



Suits both Alu & Wooden Doors



Mechanical key override

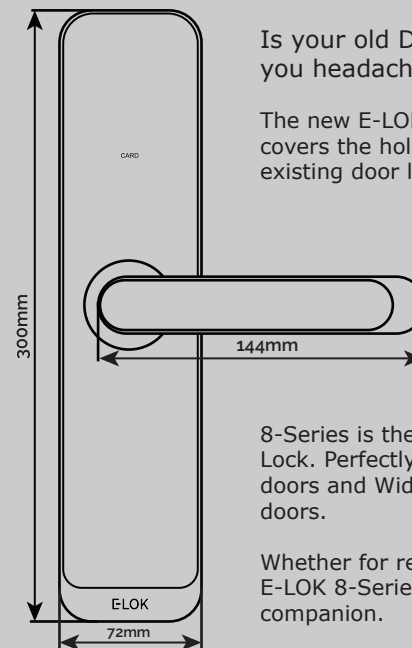


Lightup indicator LED's



Privacy Lock

Need a new Door Lock?



Is your old Door Lock causing you headaches?

The new E-LOK 8-Series seamlessly covers the holes of most common existing door locks.

8-Series is the latest E-LOK Smart Lock. Perfectly designed for wooden doors and Wide-Frame Aluminium doors.

Whether for retrofit or for new, E-LOK 8-Series is your best door companion.

Quick Tech Specs:

Batteries: 6V (4xAA Alkaline) included
Compatible with: E-LOK Gateway Wi-Fi Access
Suitable Door Thickness: 30mm - 70mm
Operating Humidity: 10-95% Humidity
Product Size (body only): 300mm(H)*72mm(W)*21mm(D)
Available Backsets: 60mm & 70mm Backset
8-Series Residential Warranty: 2 Year Mechanical & Electrical

Powered by the E-LOK App

