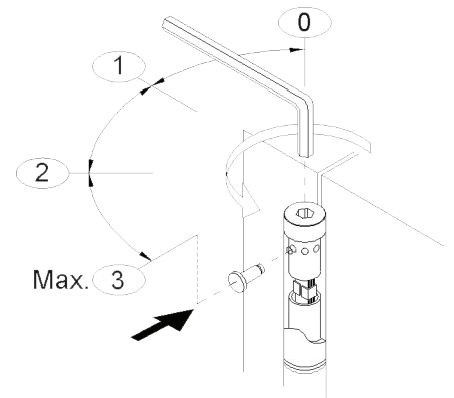
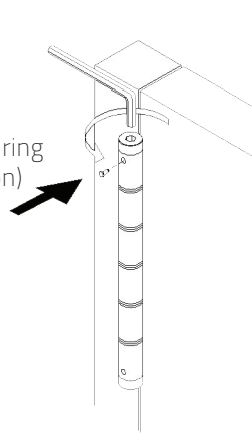
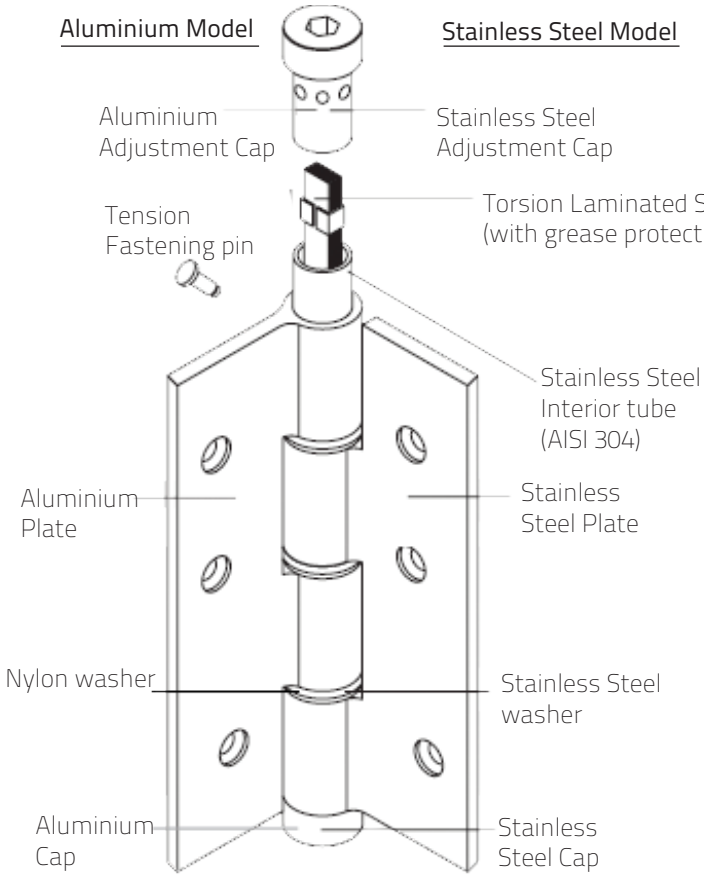


Spring Hinge BISA120 Functional Data

Aluminium and 304 Stainless Steel

Anatomy of a Small Single Action Spring Hinge:

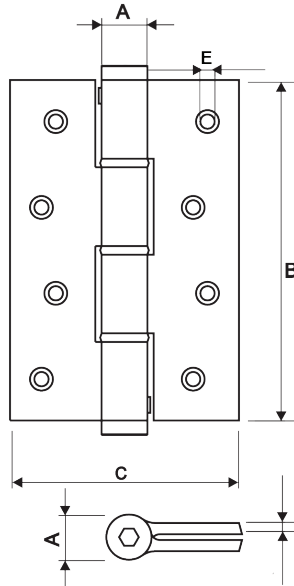
BISA120 Adjustment Instructions:



Dimensional Information:

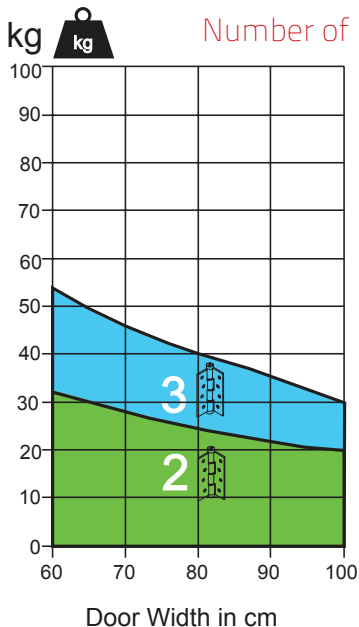
Measurements Table (in mm)

Model	BISA120 Aluminium	BISA120 SS & ZP
A	Ø16	Ø17
B	120	120
C	80	80
D	4	2.5
E	Ø5	Ø5.5

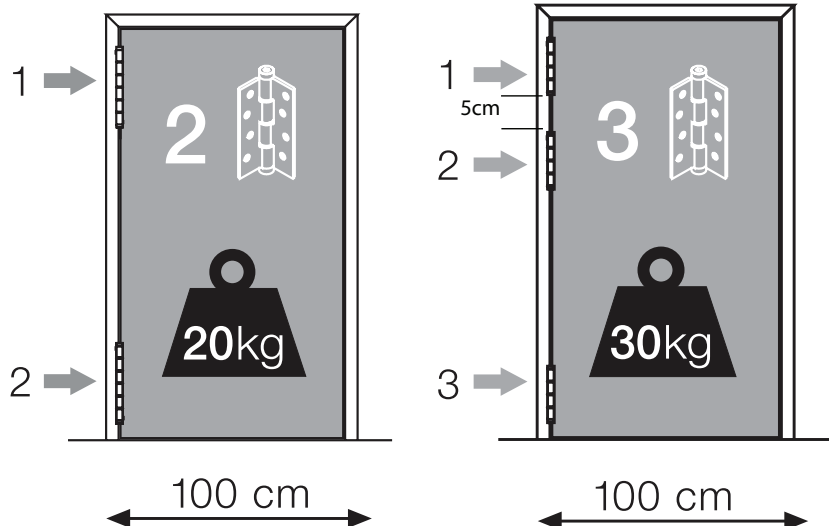


Where the BISA120 can be used

- Commercial Environments
- Residential Environments
- Apartment Buildings
- Restaurant Kitchens
- Hotels of All Sizes
- Industrial Estates
- Hospitals
- Gates
- Retail Doors
- Front Doors
- Office Doors
- WC type Doors
- Perimeter Doors
- Doors Leading to Pools



Number of hinges required per door based on door weight & width:



Spring Hinge BISA120 Functional Data

Aluminium & 304 Stainless Steel

The BISA120 small single action spring hinge is an extension of the enormously popular larger BISA180. The BISA120 is the same in all respects to the BISA180, but smaller. It's been designed to provide the same functionality as the BISA180 but on smaller, lighter doors.

The BISA120 has been designed to carry and self close doors that weigh up to 55kg (refer to the graph) and is ideal for internal or external applications; wherever a door needs to return to a closed position without assistance. The BISA120 single action spring hinge is designed to automatically close a door with a subtle visual appearance. It is sleek, stylish and simple. Made in Spain by Justor, the BISA120 is highly functional and adjustable.

Simplistically, the spring will act as a door closer and close the door once opened. Made out of Aluminium or AISI 304 Stainless Steel, the BISA120 single action spring hinge is ideal for internal or external applications. Once installed, the BISA120 spring hinge can be adjusted to bring the door back quickly or slowly.

The Justor BISA120 has multiple tension settings for detailed control of door closure speed and adjustments can be made without having to take the door down. Alternatively, by reversing the tension on the BISA120, the spring can be set to assist in the opening of a door.

The BISA120 spring hinge can be used on perimeter doors, pool doors, gates, front doors, large feature doors, office doors & bedroom doors, just to name a few. The BISA120 is ideal for restaurants, hospitals, commercial buildings, apartments, boats and residential houses and general projects of all sizes.

Cost effective and highly functional, it is a real and effective alternative to traditional door closers and other closing solutions. The BISA120 spring hinge comes with a 2 year manufacturer's Guarantee. Made to exacting European standards in Spain by Justor, the BISA120 is a maintenance free solution - no periodic greasing or adjustments required, just 1 drop of oil in the top cap once a year.

The BISA120 represents a smarter option when it comes to design and aesthetics.



Order Codes:

Base Material: Aluminium

- BISA120AS - Anodized Silver
- BISA120BLK - Anodized Black
- BISA120WHT - Aluminium PC White
- BISA120AB - Anodized Bronze
- BISA120AG - Anodized Gold

Base Material: Stainless Steel

- BISA120SS - 304 Grade SS

Non Sprung

- BISA120NAS - Anodized Silver
- BISA120NBLK - Anodized Black
- BISA120NWHT - Aluminium PC White
- BISA120NAB - Anodized Bronze
- BISA120NAG - Anodized Gold

BISA120 Range Quick Facts:

- Spring Resistance 500,000 cycles
- Maximum resistance to bending
- Torsion Spring not a Coil Spring
- Variable Closing Strength (speed)
- 90° or 180° Working Aperture
- Solid and Stylish Design
- For Wood or Aluminium Doors
- Slim Profile vs. Bulky Door Closer
- Quick & Simple Installation
- Detailed Instructions Included
- Manufactured in Spain with a 2 Year Manufacturer's Guarantee