

SL-500 Shear Lock



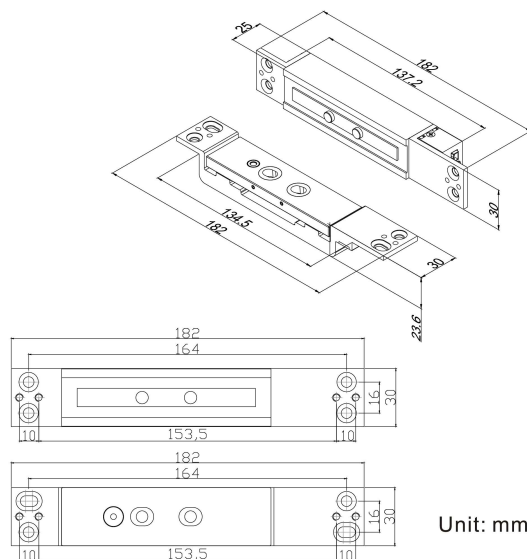
Special features

- Compact all-in-one design and easy to install.
- Power Supply 12V/24V DC(auto-adjusting).
- Maximum shear force of 2600lbs (1200kg).
- Maximum magnetic suction up to 5mm (@24V).
- Built-in micro controller with door open delay time and door position detection outputs.
- Suitable for all types of 90° or 180° degree open aluminum or wooden doors.
- Repeated locking function. Automatic repeated locking (maximum 60 times) when door is not locked at the correct position.

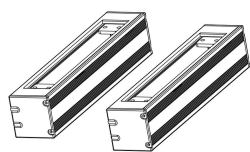
Specification

Power Supply	DC 12V ~ DC24V ± 15%
Operation Current	900mA
Holding Current	220mA@12VDC mA ± 5% 190mA@24VDC mA ± 5%
Application	All types of 90°~180° door
Maximum Shear Force	2600lbs (1200kg)
Magnetic Distance(Max.)	3mm @12V / 5mm @24V
Operation Delay Time	0.5~25 Sec.(Available to set)
Lock Status Sensor	N.C. & N.O. Output (1A@30VDC)
Relock Function	Maximum 60 times
Demagnetizer Design	Instant demagnetizer when power is off.
Indicator	Double-colored LED light
Weight	1200g(included wrapping)

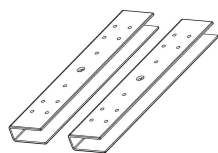
Dimensions



Related products (Optional)

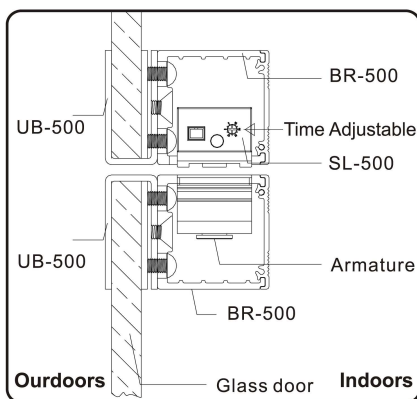


BR-500 bracket



UB-500

【Installation of glass door】



Structure diagram

